



常规金属叶片轴流风机
Conventional Carbon Steel Blade Axial Fan

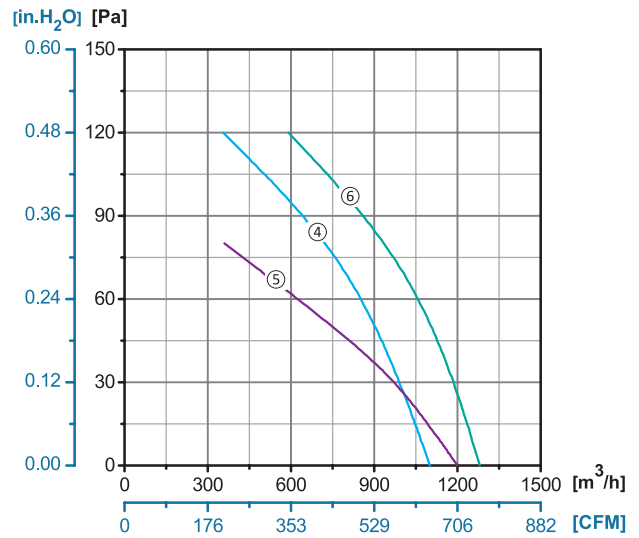
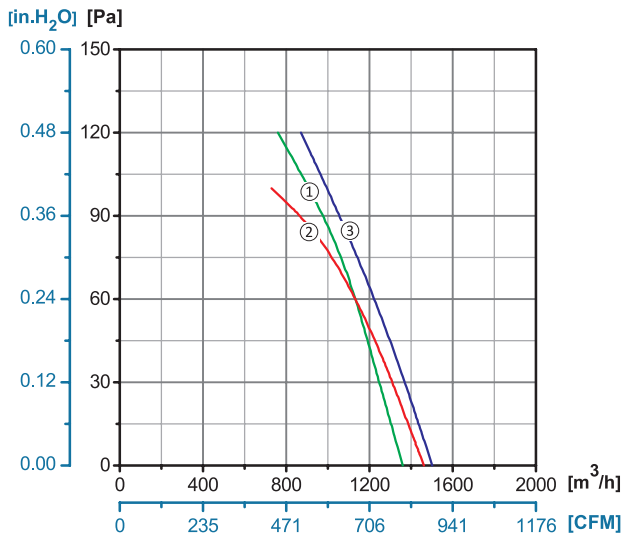
ErP2015
EXCEEDS THE NORM








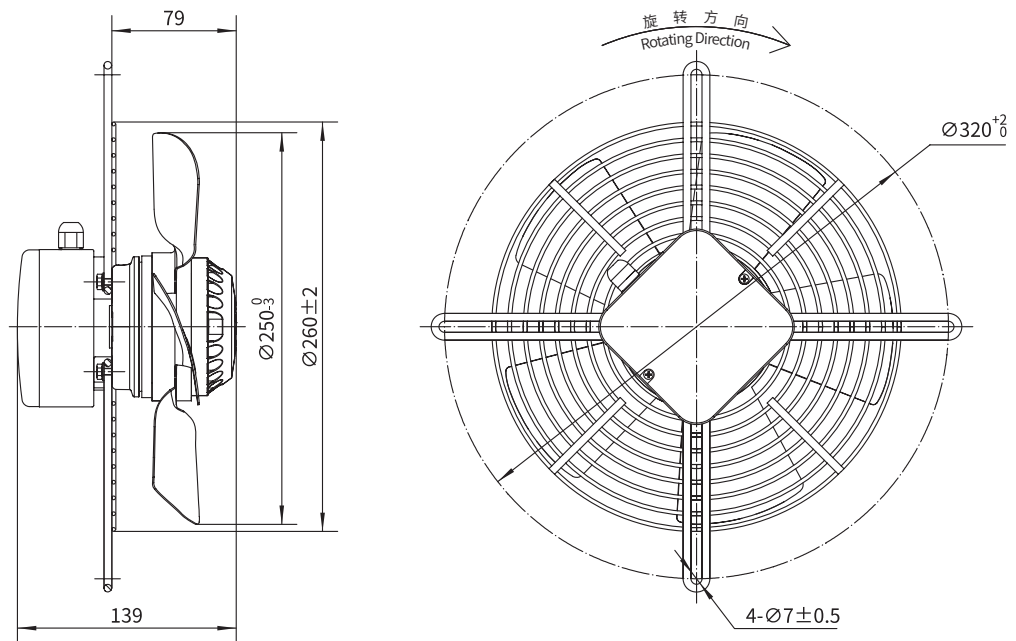
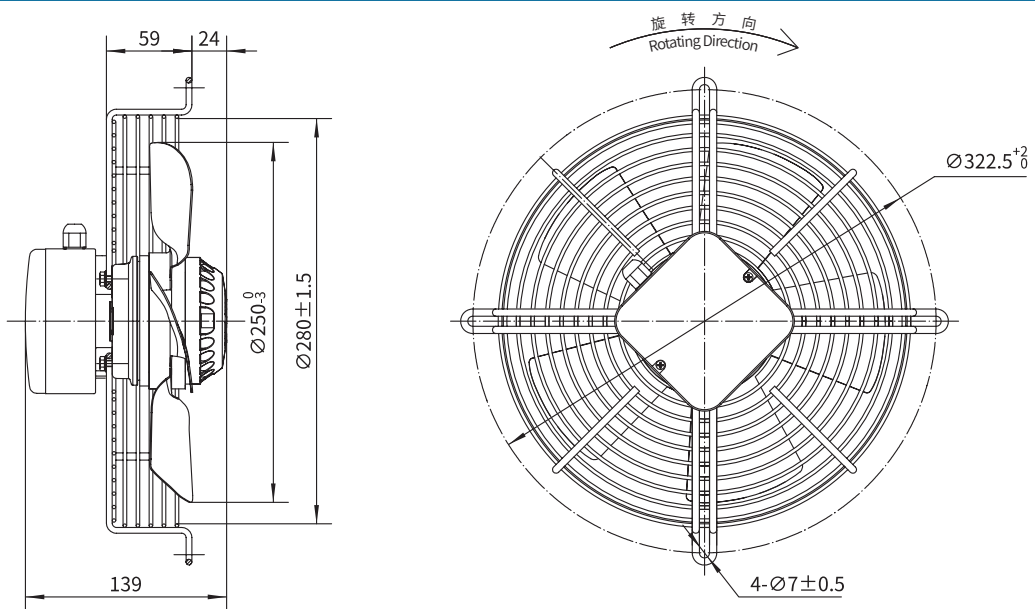
Φ250


转子材质 Rotor Material: 铸铝 Aluminum Die-casting
 叶轮材质 Impeller Material: 碳钢 Carbon Steel
 防护等级 Ingress Protection: IP44
 绝缘等级 Insulation Class: F
 轴承类型 Bearing Type: 免维护滚珠球轴承
 Maintenance Free Ball Bearing

性能曲线 Performance Curves



 Type B	 Type C	 Type D	 Type E	 Type F0
YWF.A2S-250S-5B A00	YWF.A2S-250S-5C A00	YWF.A2S-250S-5D A00	YWF.A2S-250S-5E A00	YWF.A2S-250S-5F A00
YWF.A4S-250S-5B A00	YWF.A4S-250S-5C A00	YWF.A4S-250S-5D A00	YWF.A4S-250S-5E A00	YWF.A4S-250S-5F A00
YWF.A4T-250S-5B A00	YWF.A4T-250S-5C A00	YWF.A4T-250S-5D A00	YWF.A4T-250S-5E A00	YWF.A4T-250S-5F A00
YWF.A2S-250S-5B A05	YWF.A2S-250S-5C A05	YWF.A2S-250S-5D A05	YWF.A2S-250S-5E A05	YWF.A2S-250S-5F A05
YWF.A4S-250S-5B A05	YWF.A4S-250S-5C A05	YWF.A4S-250S-5D A05	YWF.A4S-250S-5E A05	YWF.A4S-250S-5F A05

B 型网罩 Type B

C 型网罩 Type C


	电压 Voltage	频率 Frequency	电流 Current	功率 Power	转速 Speed	电容 Capacitor	风量 Air Flow (0 Pa)	噪音 Noise	曲线 Curve	运行温度 Working Temp.	认证 Approvals
Type F1	V	Hz	A	W	RPM	μ F	[m ³ /h]/[CFM]	dB(A)	No.	Min/Max(°C)	
/	220/230	50	0.43	95	2600	3	1360/800	60	①	-30/+60	CCC, CE
/	220/230	60	0.59	130	2750	3	1500/882	62	③	-30/+60	CCC, CE, UL
/	220/230	50	0.25	55	1400	2	1100/647	49	④	-30/+60	CCC, CE
/	220/230	60	0.29	65	1620	2	1280/752	53	⑥	-30/+60	CCC, CE, UL
/	380/400	50	0.16	60	1400	/	1100/647	49	④	-30/+60	CCC, CE
/	380/400	60	0.15	60	1600	/	1280/752	53	⑥	-30/+60	CCC, CE, UL
/	110/120	60	1.00	120	2650	10	1500/882	62	②	-30/+60	UL
/	110/120	60	0.48	55	1600	5	1200/705	54	⑤	-30/+60	UL

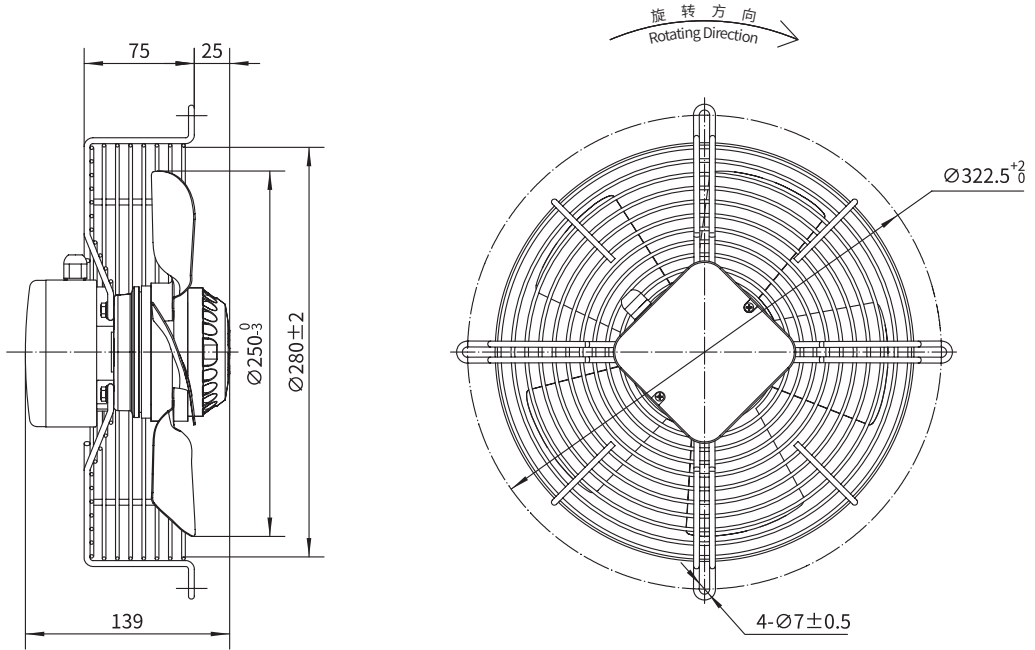




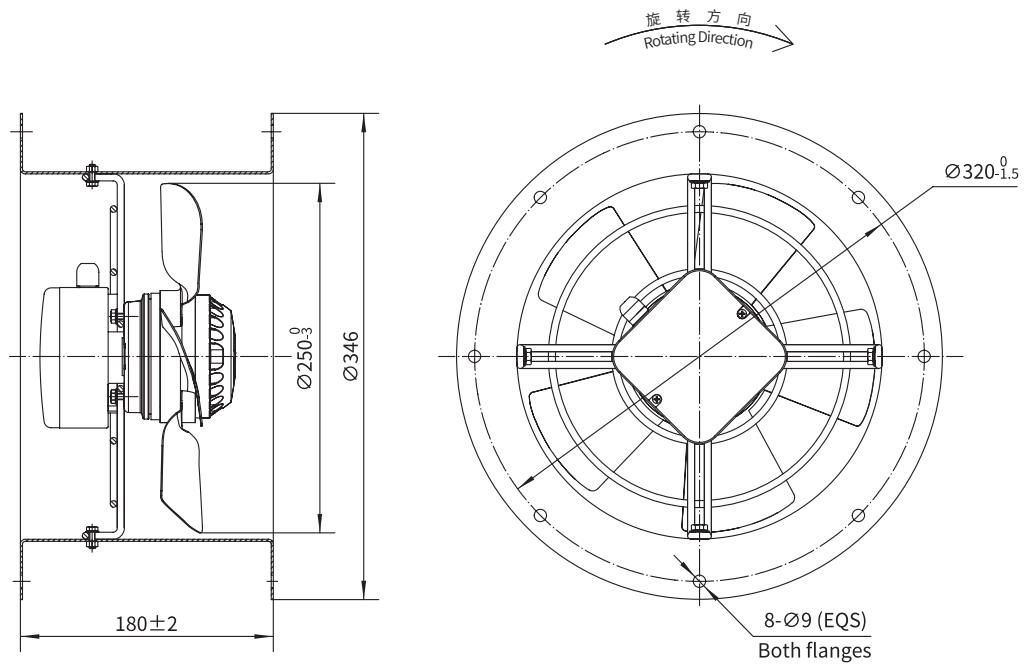
常规金属叶片轴流风机
Conventional Carbon Steel Blade Axial Fan

Φ250

D 型网罩 Type D



E 型导风筒 Type E

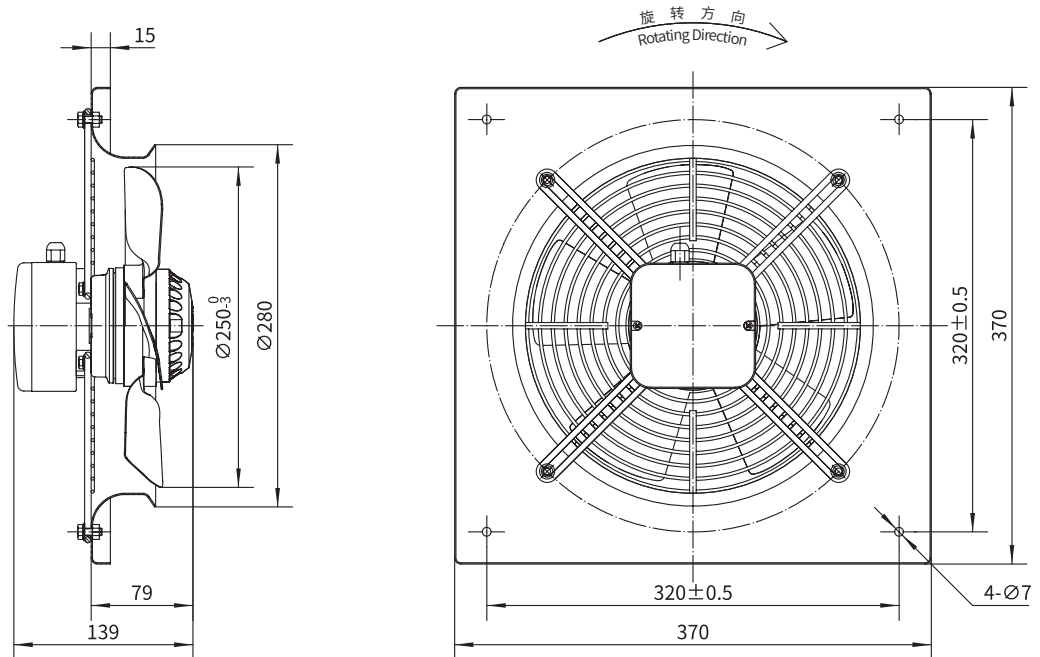




常规金属叶片轴流风机
Conventional Carbon Steel Blade Axial Fan

Φ250

F0 型面板 Type F0



常规金属叶片轴流风机
Conv. Steel Blade Axial