

EC 常规金属叶片轴流风机
EC Conventional Carbon Steel Blade Axial Fan

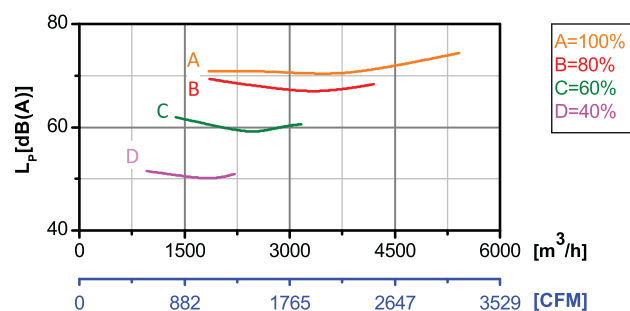
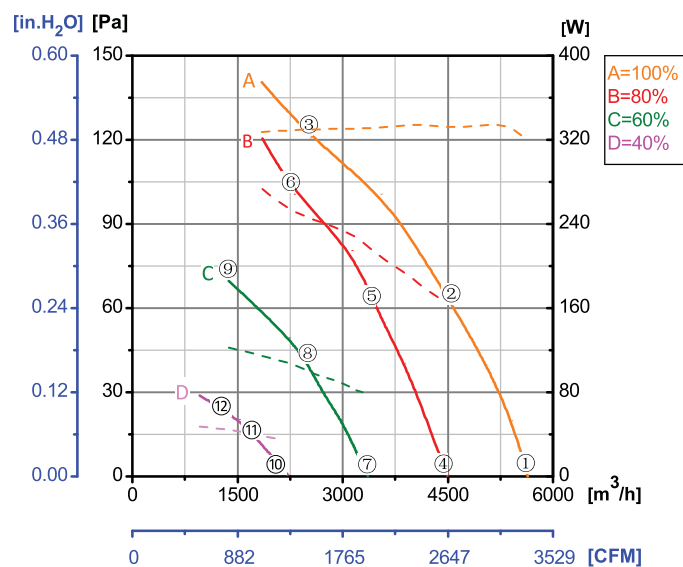
ErP2015
EXCEEDS THE NORM



Φ 450

转子材质 Rotor Material: 碳钢 Carbon steel
风叶材质 Blade Material: 碳钢 Carbon steel
防护等级 Ingress Protection: IP54
绝缘等级 Insulation Class: F
轴承类型 Bearing Type: 免维护滚珠轴承
Maintenance free ball bearing

性能曲线 Performance Curves

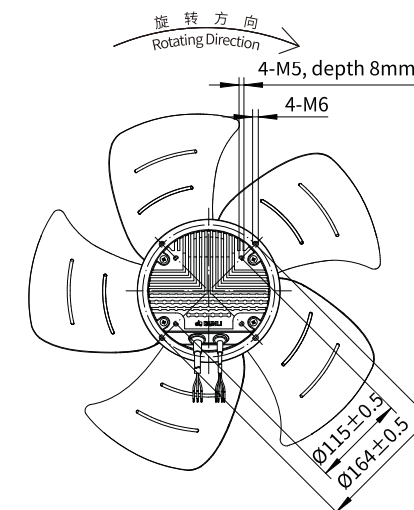
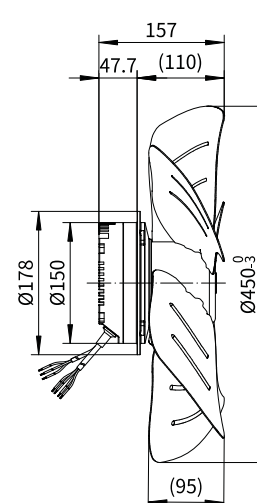


测试节点 Test Point	转速 Speed rpm	输入功率 Input Power W
1	1310	318
2	1233	331
3	1142	331
4	1044	165
5	1045	211
6	1044	248
7	786	78
8	787	100
9	789	122
10	525	34
11	526	37
12	526	43

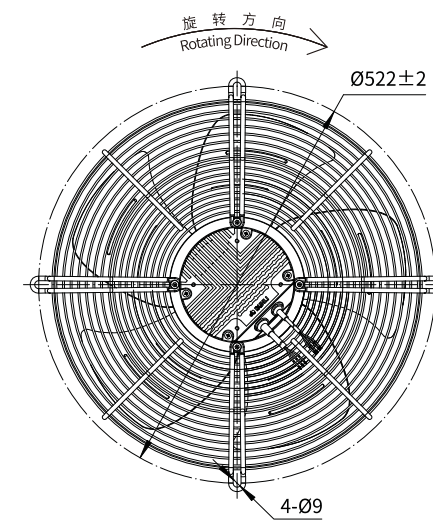
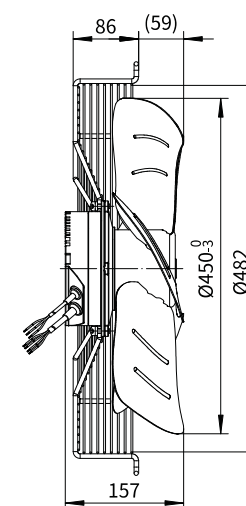
Erp2015 Data:
Efficiency η_{statA} = 33.7%
Efficiency grade N_{actual} = 43, N_{target} = 40
Test report No. : L-20210302-004-045

产品型号 Model No.	电压 Voltage	频率 Frequency	转速 Speed	输入功率 Input Power	电流 Current	运行温度 Working Temp.	认证 Approvals
	VAC	Hz	RPM	W	A	Min/Max (°C)	
EC102-A450-012	1~220/230	50/60	1310	300	1.30	-20/+60	CCC, CE

风机本体 Type A



D 型网罩 Type D



F 型面板 Type F

