



**机翼形塑料叶片轴流风机**  
**Plastic Airfoil Blade Axial Fan**

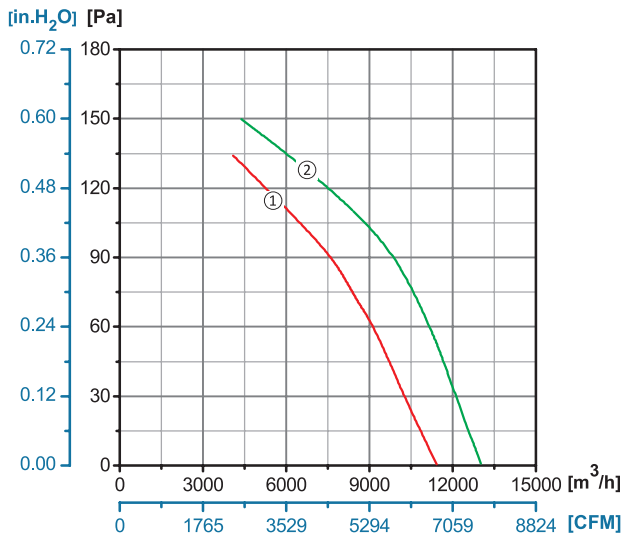
**ErP2015**  
EXCEEDS THE NORM








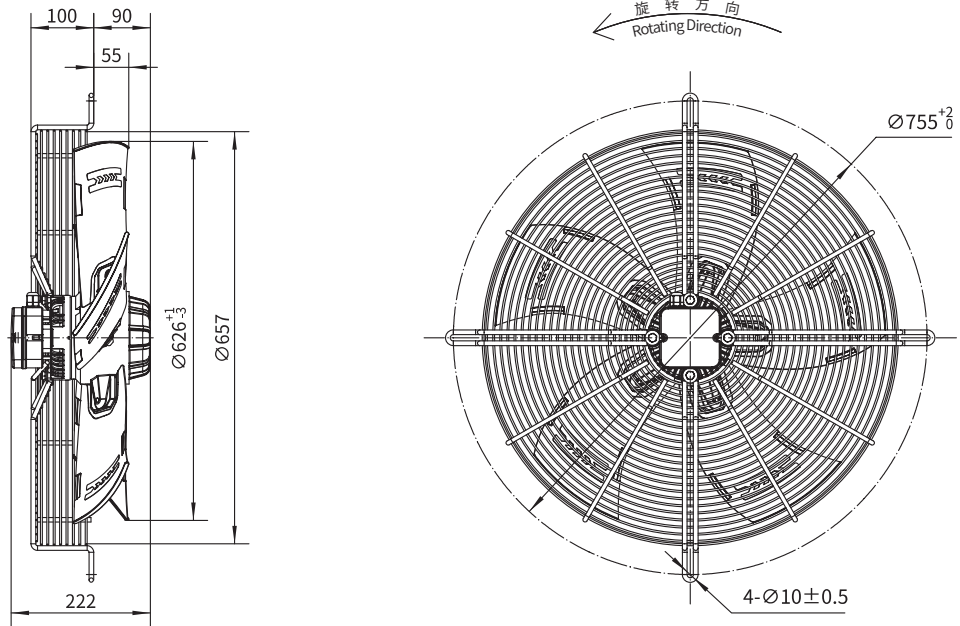
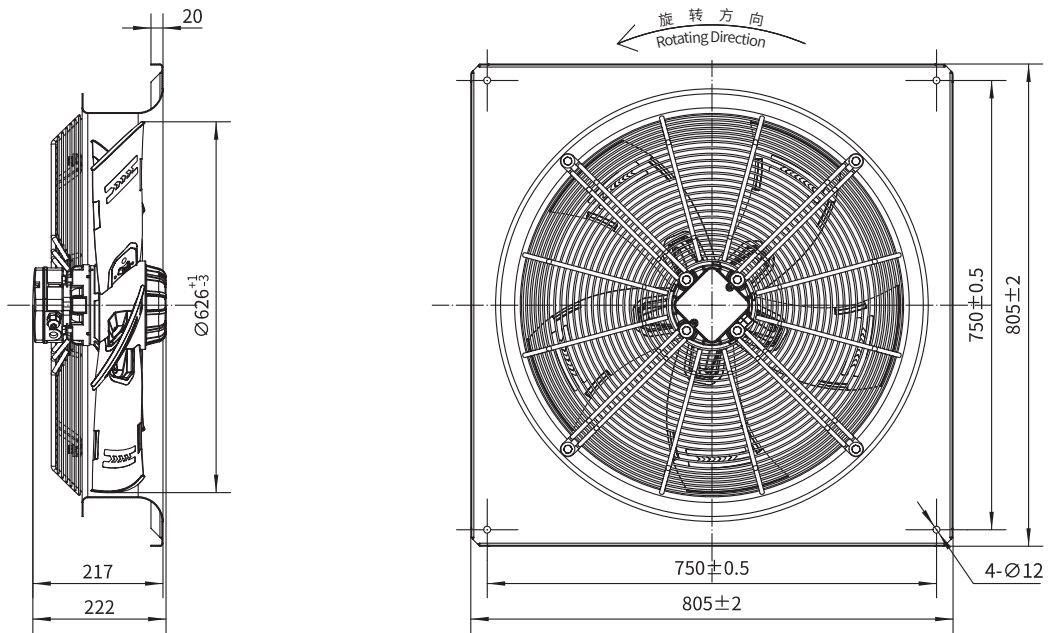
**Φ630**

转子材质 Rotor Material: 铸铝 Aluminum Die-casting  
 叶轮材质 Impeller Material: 塑料 Plastic  
 防护等级 Ingress Protection: IP54  
 绝缘等级 Insulation Class: F  
 轴承类型 Bearing Type: 免维护滚珠球轴承  
 Maintenance Free Ball Bearing

**性能曲线 Performance Curves**



				
Type B	Type C	Type D	Type E	Type F0
YWF.A6S-630S-5B   AP0	YWF.A6S-630S-5C   AP0	YWF.A6S-630S-5D   AP0	YWF.A6S-630S-5E   AP0	YWF.A6S-630S-5F   AP0
YWF.A6T-630S-5B   AP0	YWF.A6T-630S-5C   AP0	YWF.A6T-630S-5D   AP0	YWF.A6T-630S-5E   AP0	YWF.A6T-630S-5F   AP0

**D 型网罩 Type D**

**F1 型面板 Type F1**


	电压 Voltage	频率 Frequency	电流 Current	功率 Power	转速 Speed	电容 Capacitor	风量 Air Flow (0 Pa)	噪音 Noise	曲线 Curve	运行温度 Working Temp.	认证 Approvals
Type F1	V	Hz	A	W	RPM	μF	[m <sup>3</sup> /h]/[CFM]	dB(A)	No.	Min/Max(°C)	
YWF.A6S-630S-5F   AP1	220/230	50	2.0	420	930	12	11000/6470	67	①	-30/+60	CCC, CE
	220/230	60	2.6	600	1070	12	12600/7410	71	②	-30/+60	CCC, CE
YWF.A6T-630S-5F   AP1	380/400	50	1.43	480	910	/	11300/6650	69	①	-30/+60	CCC, CE
	380/400	60	1.43	670	1030	/	12700/7470	73	②	-30/+60	CCC, CE

