

EC 常规金属叶片轴流风机  
EC Conventional Carbon Steel Blade Axial Fan

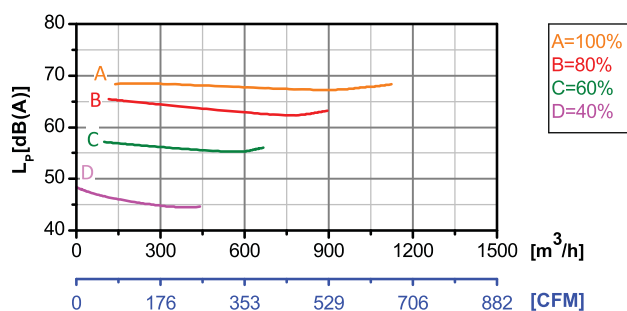
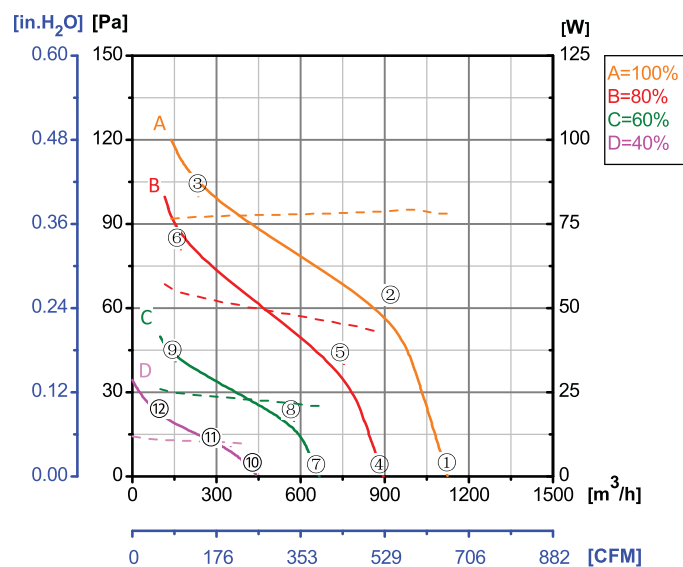
ErP2015  
EXCEEDS THE NORM



Φ 200

转子材质 Rotor Material: 碳钢 Carbon steel  
风叶材质 Blade Material: 碳钢 Carbon steel  
防护等级 Ingress Protection: IP44  
绝缘等级 Insulation Class: F  
轴承类型 Bearing Type: 免维护滚珠轴承  
Maintenance free ball bearing

性能曲线 Performance Curves

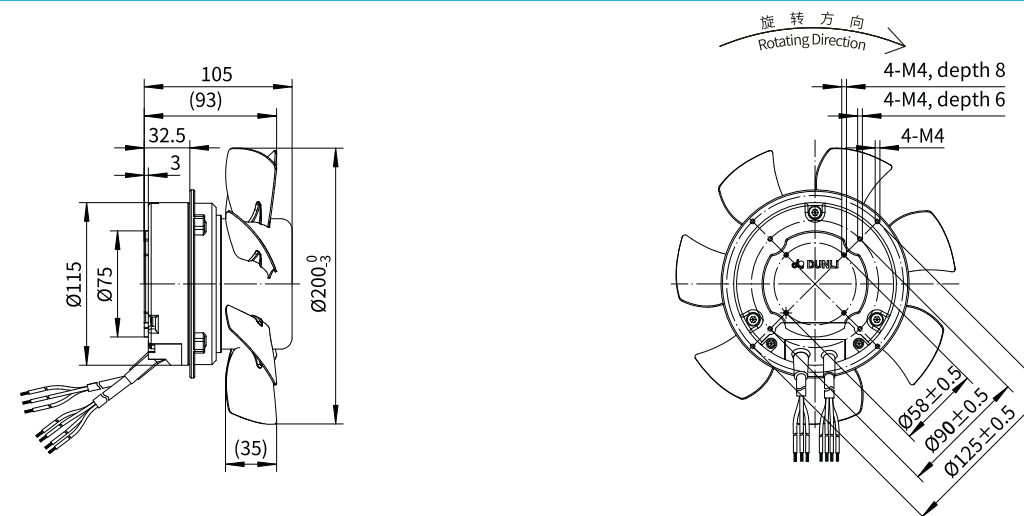


测试节点 Test Point	转速 Speed rpm	输入功率 Input Power W
1	3040	78
2	2974	78
3	2814	77
4	2433	42
5	2435	45
6	2438	53
7	1821	21
8	1830	22
9	1824	24
10	1222	9
11	1232	10
12	1228	11

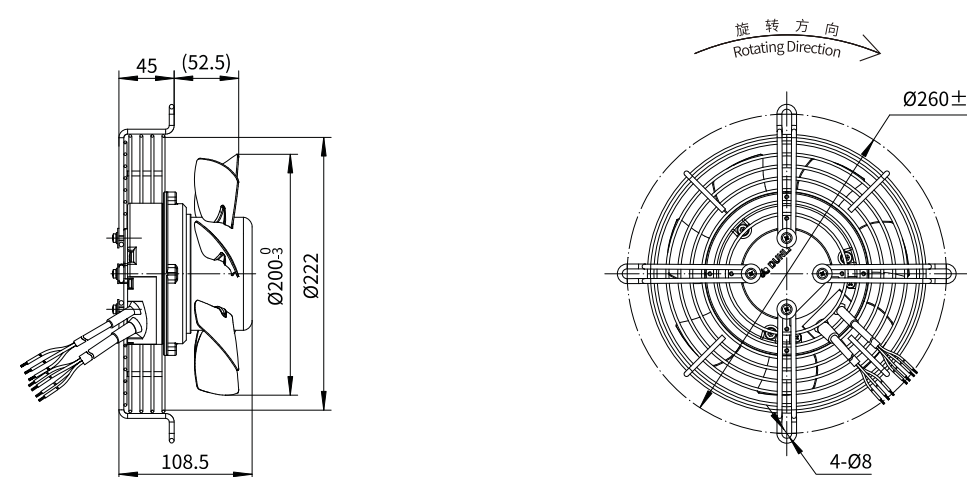
Erp2015 Data:  
Efficiency  $\eta_{statA}=0\%$   
Efficiency grade  $N_{actual}=0, N_{target}=40$   
Test report No. : L-20210302-004-018

产品型号 Model No.	电压 Voltage VAC	频率 Frequency Hz	转速 Speed RPM	输入功率 Input Power W	电流 Current A	运行温度 Working Temp. Min/Max (°C)	认证 Approvals
EC92-A200-IA33	1~220/230	50/60	2860	75	0.61	-20/+60	CCC,CE,UL

风机本体 Type A



C型网罩 Type C



F型面板 Type F

