

EC 常规金属叶片轴流风机
EC Conventional Carbon Steel Blade Axial Fan

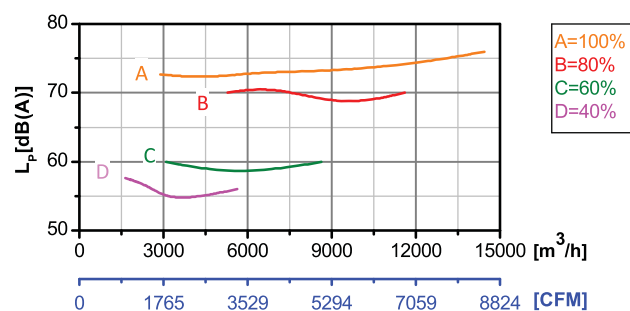
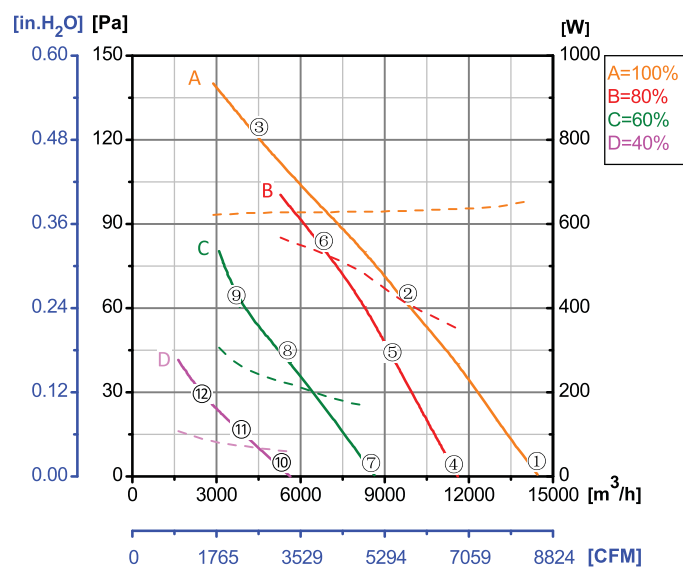
ErP2015
EXCEEDS THE NORM



Φ 710

转子材质 Rotor Material: 碳钢 Carbon steel
风叶材质 Blade Material: 碳钢 Carbon steel
防护等级 Ingress Protection: IP54
绝缘等级 Insulation Class: F
轴承类型 Bearing Type: 免维护滚珠轴承
Maintenance free ball bearing

性能曲线 Performance Curves

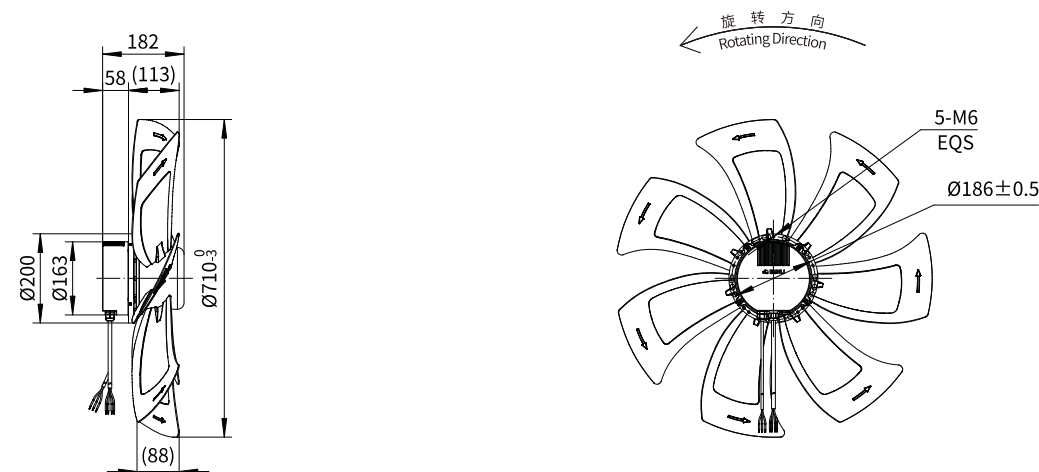


测试节点 Test Point	转速 Speed rpm	输入功率 Input Power W
1	929	660
2	828	631
3	726	629
4	744	351
5	747	422
6	747	525
7	558	162
8	561	221
9	560	254
10	374	59
11	374	77
12	376	89

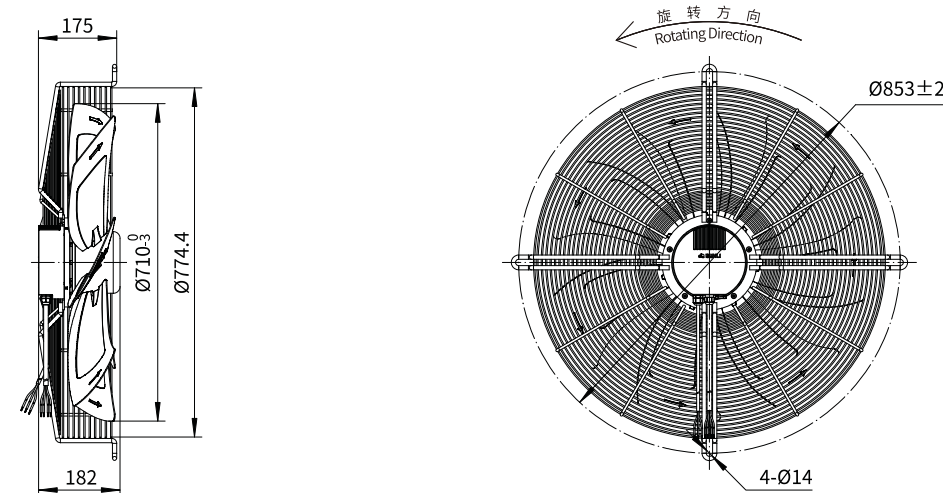
Erp2015 Data:
Efficiency η_{statA} = 32.4%
Efficiency grade N_{actual} = 40, N_{target} = 40
Test report No. : L-20210302-004-060

产品型号 Model No.	电压 Voltage VAC	频率 Frequency Hz	转速 Speed RPM	输入功率 Input Power W	电流 Current A	运行温度 Working Temp. Min/Max (°C)	认证 Approvals
EC137-A710-005	1~220/230	50/60	900	700	4.15	-20/+60	CCC,CE

风机本体 Type A



D 型网罩 Type D



F 型面板 Type F

