

DC 前倾离心及鼓风机
DC Forward Curved Centrifugal Fan and Blower

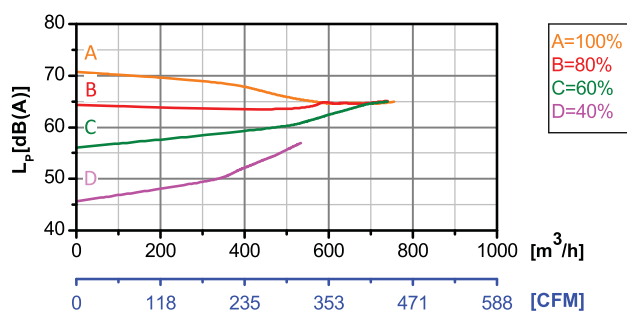
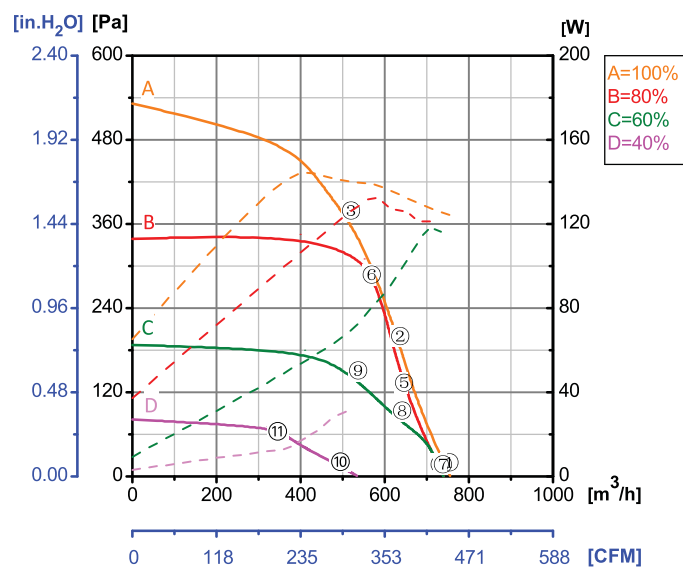
ErP2015
EXCEEDS THE NORM



Φ 180

转子材质 Rotor Material: 碳钢 Carbon steel
 蜗壳材质 Housing Material: 碳钢 Carbon steel
 叶轮材质 Impeller Material: 镀锌板 Galvanized steel sheet
 防护等级 Ingress Protection: IP42
 绝缘等级 Insulation Class: F
 轴承类型 Bearing Type: 免维护滚珠轴承
 Maintenance free ball bearing

性能曲线 Performance Curves

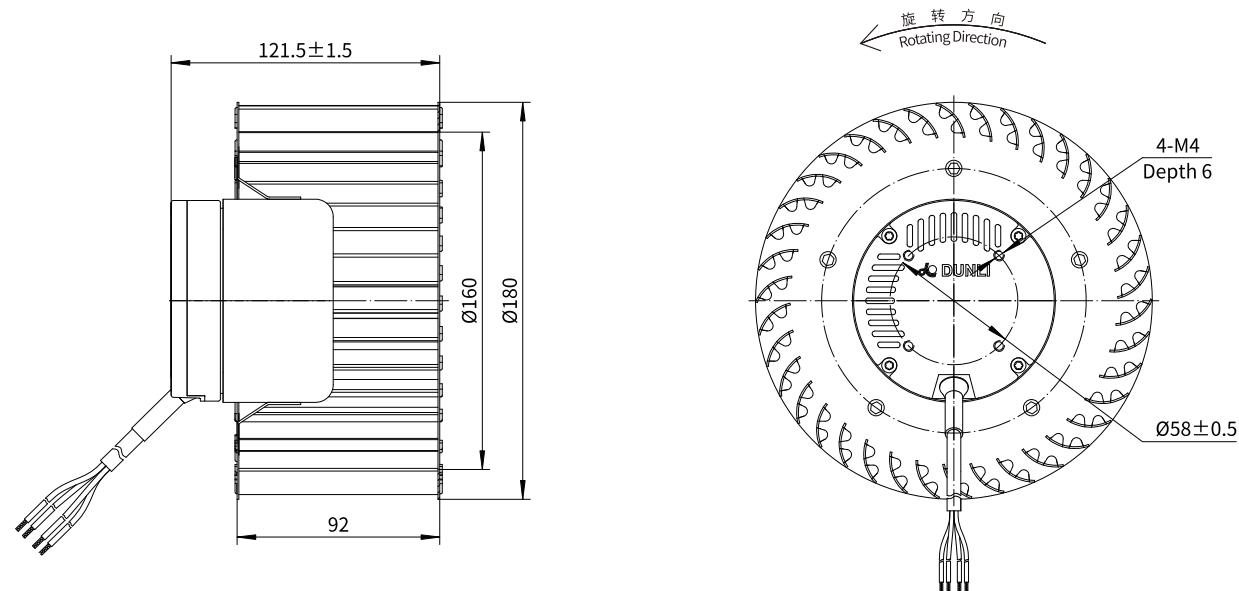


测试节点 Test Point	转速 Speed rpm	输入功率 Input Power W
1	1389	124
2	1709	130
3	2030	139
4	1356	116
5	1592	126
6	1842	133
7	1357	116
8	1463	99
9	1463	73
10	994	31
11	992	16
12	/	/

Erp2015 Data:
 Efficiency η_{statA} = 42.9%
 Efficiency grade N_{actual} = 54.6, N_{target} = 44
 Test report No. : L-20210302 -003-039

产品型号 Model No.	电压 Voltage	频率 Frequency	转速 Speed	输入功率 Input Power	电流 Current	运行温度 Working Temp.	认证 Approvals
	VDC	Hz	RPM	W	A	Min/Max (°C)	
DC92-F180-A10	24	/	1400	130	5.4	-20/+60	CE
DC92-F180-C10	48	/	1400	130	2.7	-20/+60	CCC,CE
DC92-F180-002	310	/	1400	130	0.42	-20/+60	CCC,CE

前倾离心风机 Motorized Forward Curved Impeller



鼓风机 Blower

