

EC 前倾离心及鼓风机
EC Forward Curved Centrifugal Fan and Blower

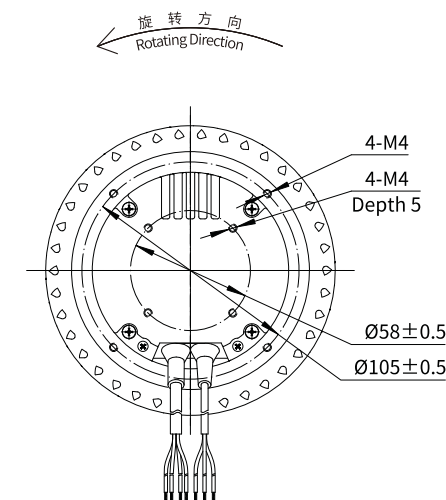
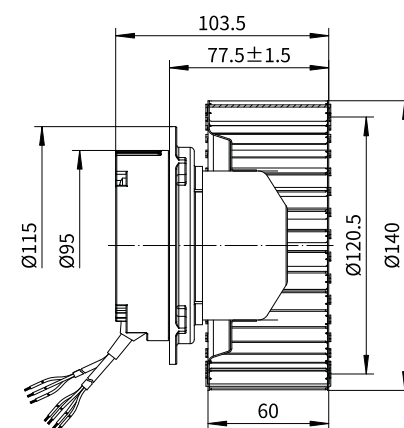
ErP2015
EXCEEDS THE NORM

前倾离心风机 Motorized Forward Curved Impeller

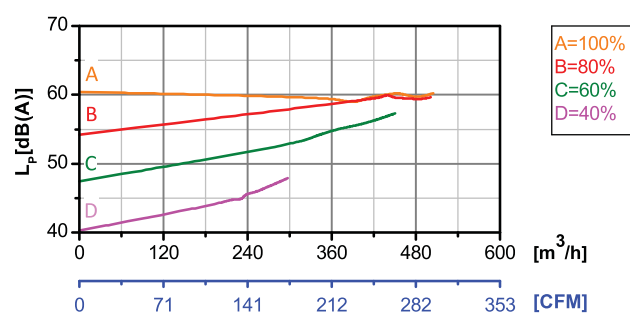
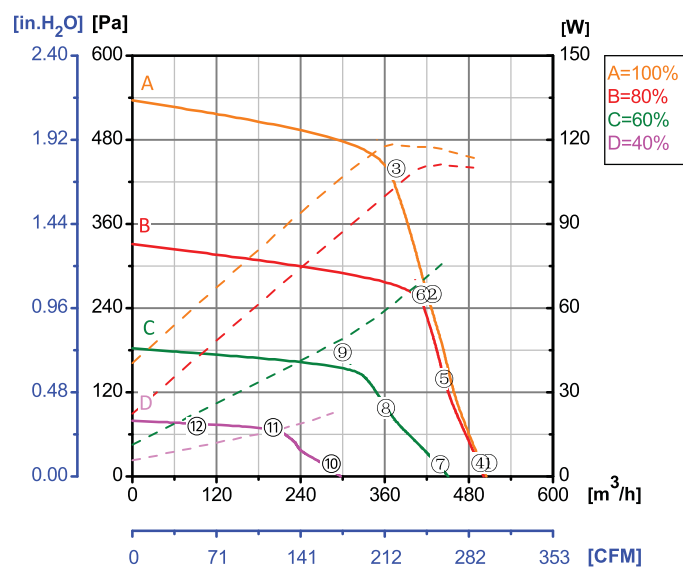


Φ 140-H

转子材质 Rotor Material: 碳钢 Carbon steel
 蜗壳材质 Housing Material: 碳钢 Carbon steel
 叶轮材质 Impeller Material: 镀锌板 Galvanized steel sheet
 防护等级 Ingress Protection: IP44
 绝缘等级 Insulation Class: F
 轴承类型 Bearing Type: 免维护滚珠球轴承
 Maintenance free ball bearing



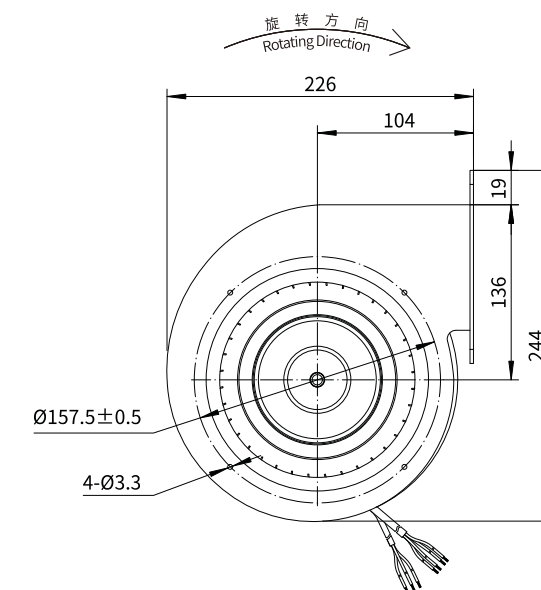
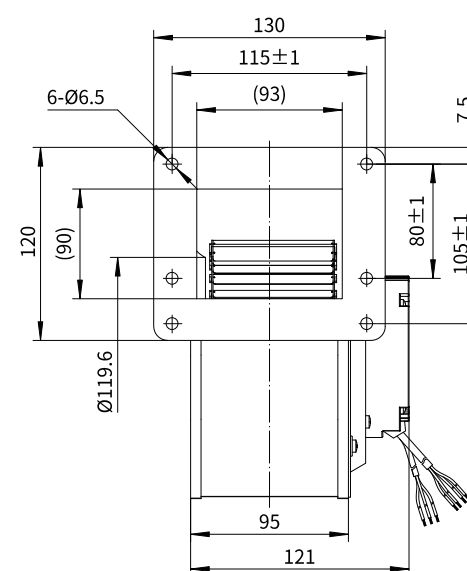
性能曲线 Performance Curves



测试节点 Test Point	转速 Speed rpm	输入功率 Input Power W
1	2152	112
2	2472	117
3	2719	118
4	2137	109
5	2320	110
6	2436	110
7	1921	77
8	1921	61
9	1911	50
10	1271	23
11	1273	19
12	1272	17

Erp2015 Data:
 Efficiency $\eta_{statA} = \% < 125W$
 Efficiency grade $N_{actual} = *, N_{target} = 44$
 Test report No. : L-20210302-003-014

鼓风机 Blower



产品型号 Model No.	电压 Voltage	频率 Frequency	转速 Speed	输入功率 Input Power	电流 Current	运行温度 Working Temp.	认证 Approvals
	VAC	Hz	RPM	W	A	Min/Max (°C)	
EC72-F140-013	1~220/230	50/60	2250	115	0.94	-20/+60	CCC,CE