



常规金属叶片轴流风机
Conventional Carbon Steel Blade Axial Fan

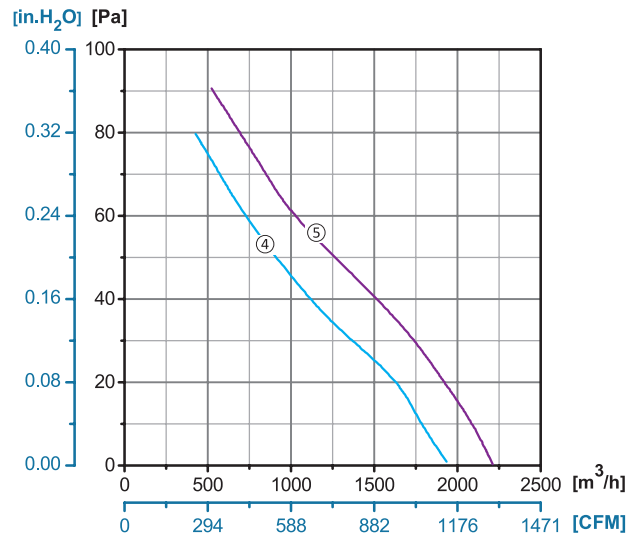
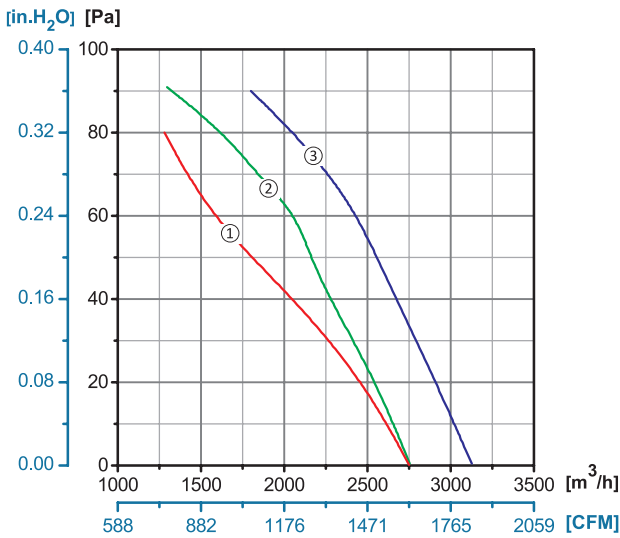
ErP2015
EXCEEDS THE NORM








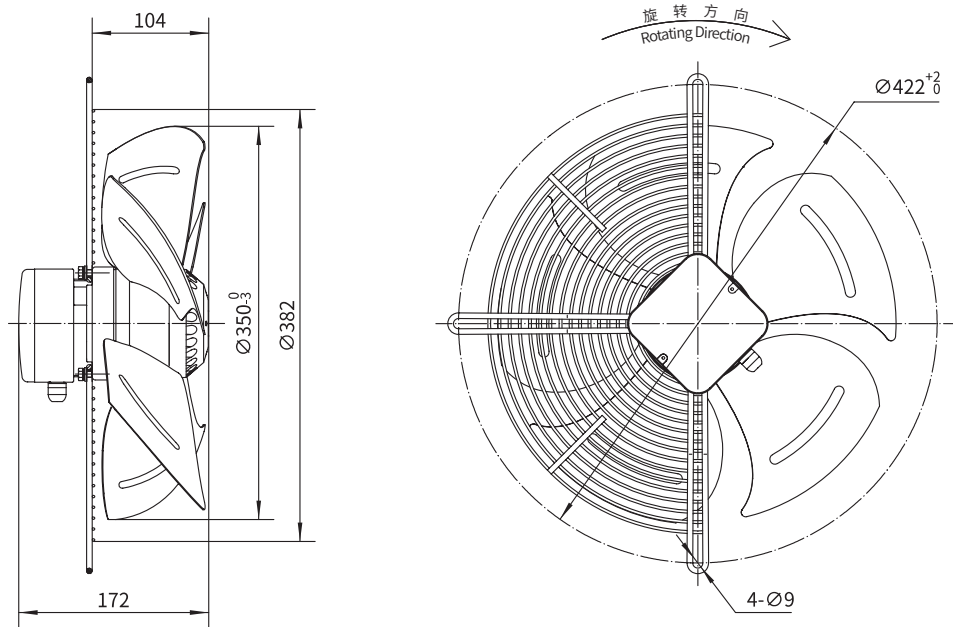
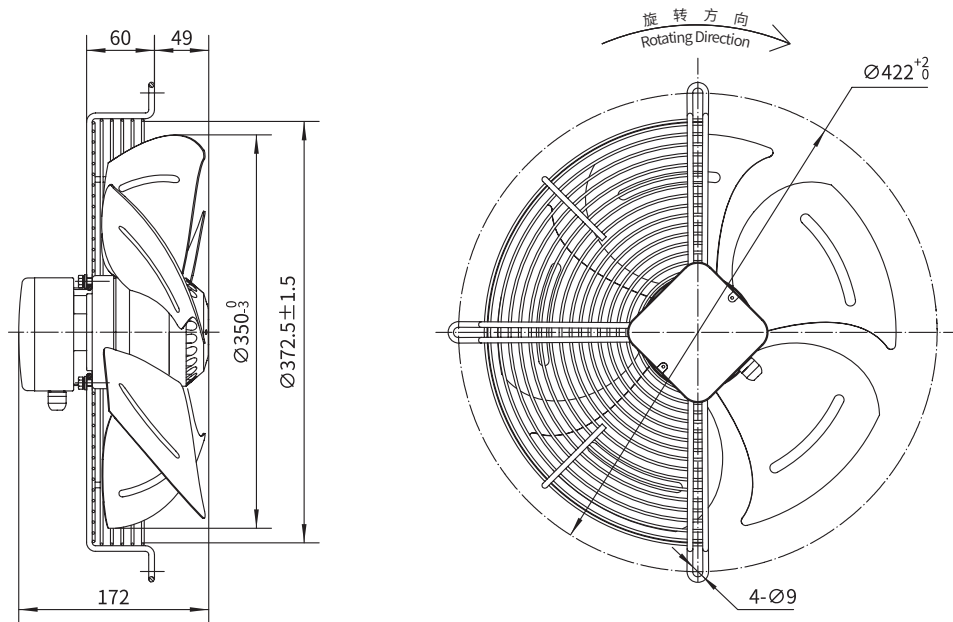
Φ350

转子材质 Rotor Material: 铸铝 Aluminum Die-casting
 叶轮材质 Impeller Material: 碳钢 Carbon Steel
 防护等级 Ingress Protection: IP54
 绝缘等级 Insulation Class: F
 轴承类型 Bearing Type: 免维护滚珠球轴承
 Maintenance Free Ball Bearing

性能曲线 Performance Curves



 Type B	 Type C	 Type D	 Type E	 Type F0
YWF.A4S-350S-5B A00	YWF.A4S-350S-5C A00	YWF.A4S-350S-5D A00	YWF.A4S-350S-5E A00	YWF.A4S-350S-5F A00
YWF.A4T-350S-5B A00	YWF.A4T-350S-5C A00	YWF.A4T-350S-5D A00	YWF.A4T-350S-5E A00	YWF.A4T-350S-5F A00
YWF.A6S-350S-5B A00	YWF.A6S-350S-5C A00	YWF.A6S-350S-5D A00	YWF.A6S-350S-5E A00	YWF.A6S-350S-5F A00
YWF.A6T-350S-5B A00	YWF.A6T-350S-5C A00	YWF.A6T-350S-5D A00	YWF.A6T-350S-5E A00	YWF.A6T-350S-5F A00
YWF.A4S-350S-5B A05	YWF.A4S-350S-5C A05	YWF.A4S-350S-5D A05	YWF.A4S-350S-5E A05	YWF.A4S-350S-5F A05

B 型网罩 Type B

C 型网罩 Type C


	电压 Voltage	频率 Frequency	电流 Current	功率 Power	转速 Speed	电容 Capacitor	风量 Air Flow (0 Pa)	噪音 Noise	曲线 Curve	运行温度 Working Temp.	认证 Approvals
Type F1	V	Hz	A	W	RPM	μF	[m ³ /h]/[CFM]	dB(A)	No.	Min/Max(°C)	
/	220/230	50	0.60	135	1380	4	2750/1617	58	②	-30/+60	CCC, CE
/	220/230	60	0.83	190	1550	4	3100/1823	60	③	-30/+60	CCC, CE, UL
/	380/400	50	0.30	135	1360	/	2750/1617	58	②	-30/+60	CCC, CE
/	380/400	60	0.34	170	1500	/	3050/1794	60	③	-30/+60	CCC, CE, UL
/	220/230	50	0.40	80	950	3	1950/1147	53	④	-30/+60	CCC, CE
/	220/230	60	0.37	83	1100	3	2150/1264	54	⑤	-30/+60	CCC, CE, UL
/	380/400	50	0.29	70	920	/	1950/1147	53	④	-30/+60	CCC, CE
/	380/400	60	0.20	80	1070	/	2150/1264	54	⑤	-30/+60	CCC, CE, UL
/	110/120	60	1.60	175	1500	12	2750/1618	60	①	-30/+60	UL

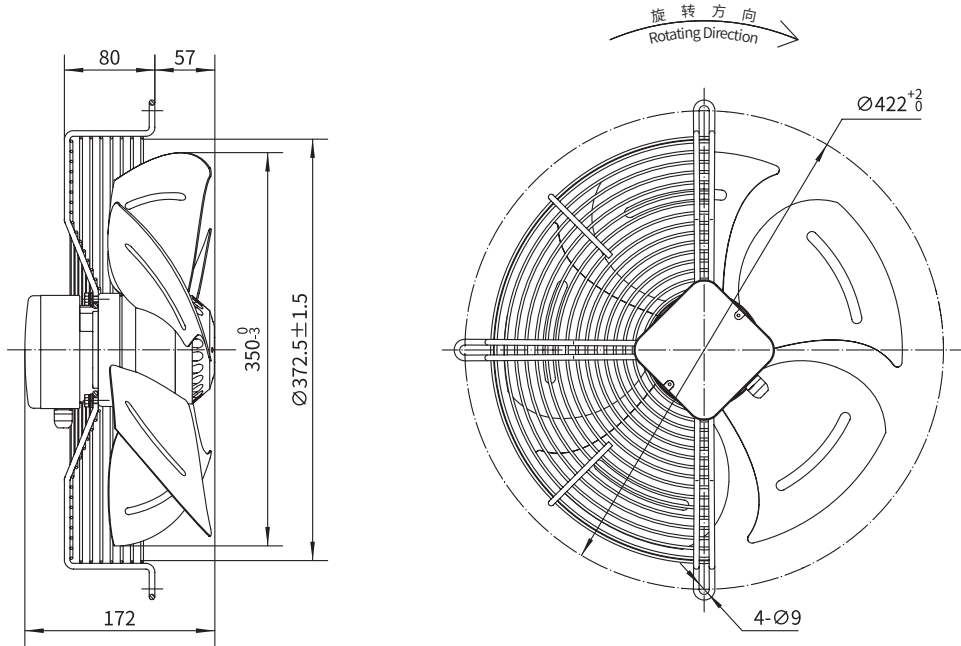




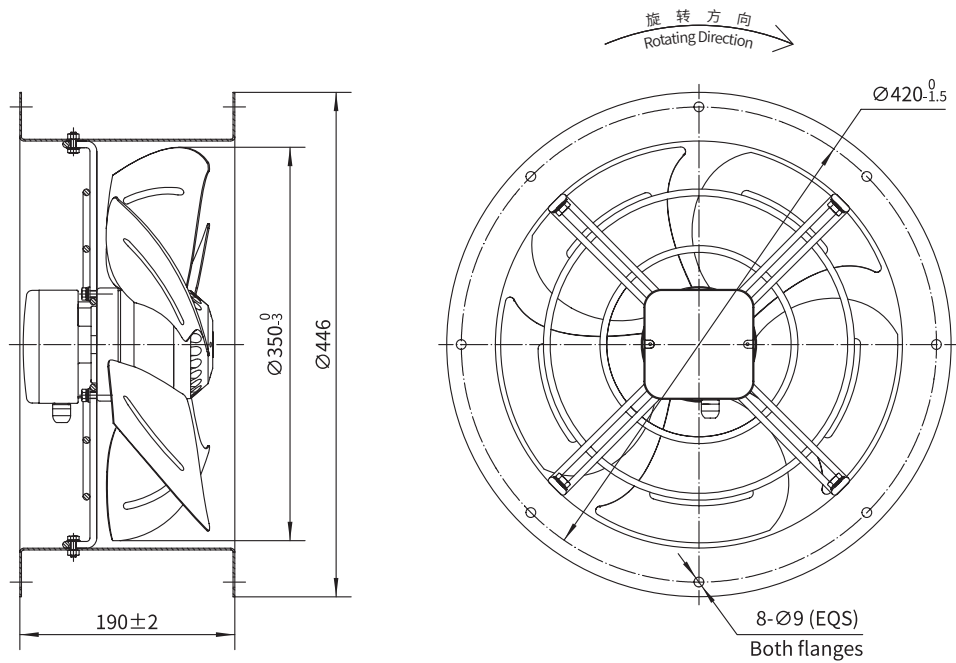
常规金属叶片轴流风机
Conventional Carbon Steel Blade Axial Fan

Φ350

D 型网罩 Type D



E 型导风筒 Type E

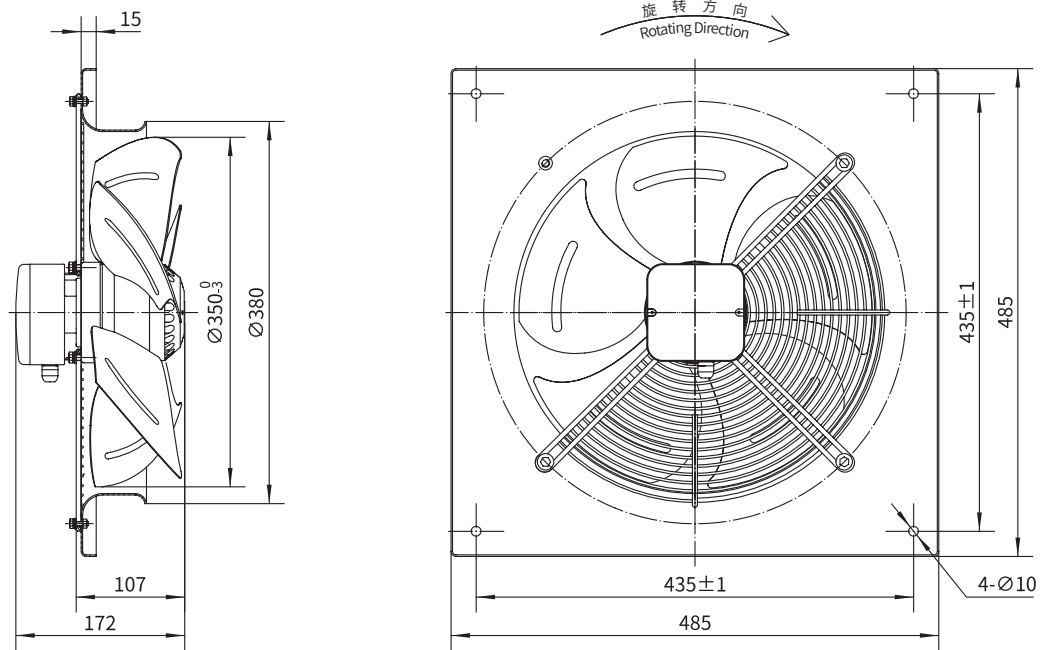




常规金属叶片轴流风机
Conventional Carbon Steel Blade Axial Fan

Φ350

F0 型面板 Type F0



常规金属叶片轴流风机
Conv. Steel Blade Axial