

EC 前倾离心及鼓风机
EC Forward Curved Centrifugal Fan and Blower

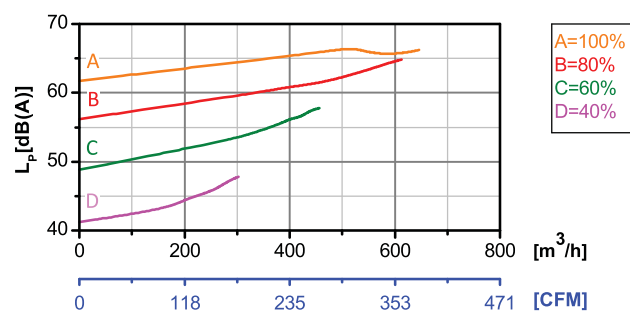
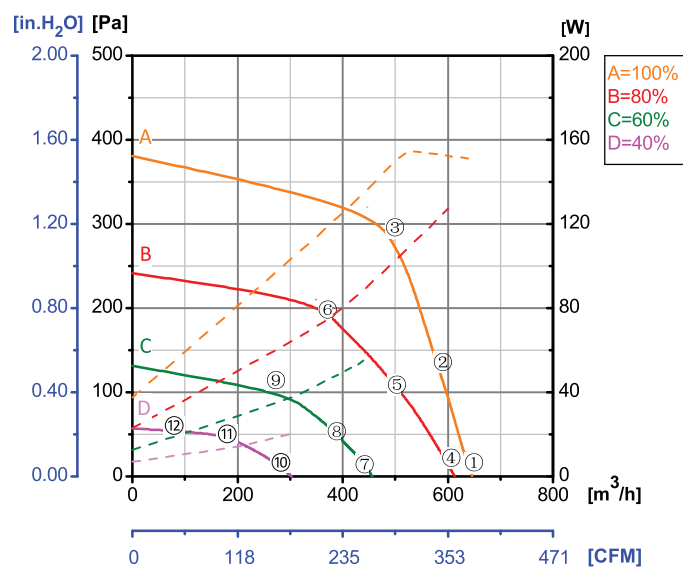
ErP2015
EXCEEDS THE NORM



Φ 160-H

转子材质 Rotor Material: 碳钢 Carbon steel
 蜗壳材质 Housing Material: 碳钢 Carbon steel
 叶轮材质 Impeller Material: 镀锌板 Galvanized steel sheet
 防护等级 Ingress Protection: IP44
 绝缘等级 Insulation Class: F
 轴承类型 Bearing Type: 免维护滚珠轴承
 Maintenance free ball bearing

性能曲线 Performance Curves

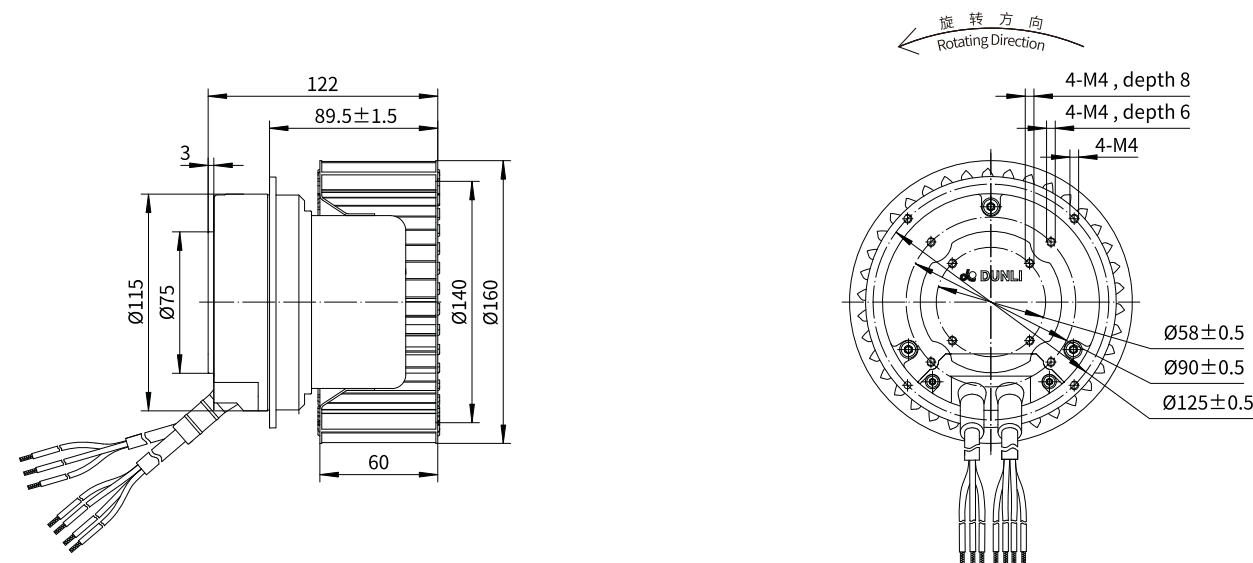


测试节点 Test Point	转速 Speed rpm	输入功率 Input Power W
1	2092	151
2	2258	153
3	2488	150
4	1999	130
5	1997	108
6	1993	79
7	1496	57
8	1491	50
9	1493	36
10	1000	20
11	1000	18
12	1000	14

Erp2015 Data:
 Efficiency η_{statA} = 33.9%
 Efficiency grade N_{actual} = 45.8, N_{target} = 44
 Test report No. : L-20210302 -003-032

产品型号 Model No.	电压 Voltage	频率 Frequency	转速 Speed	输入功率 Input Power	电流 Current	运行温度 Working Temp.	认证 Approvals
	VAC	Hz	RPM	W	A	Min/Max (°C)	
EC92-F160-030	1~220/230	50/60	2100	150	1.15	-20/+60	CCC,CE,UL

前倾离心风机 Motorized Forward Curved Impeller



鼓风机 Blower

