

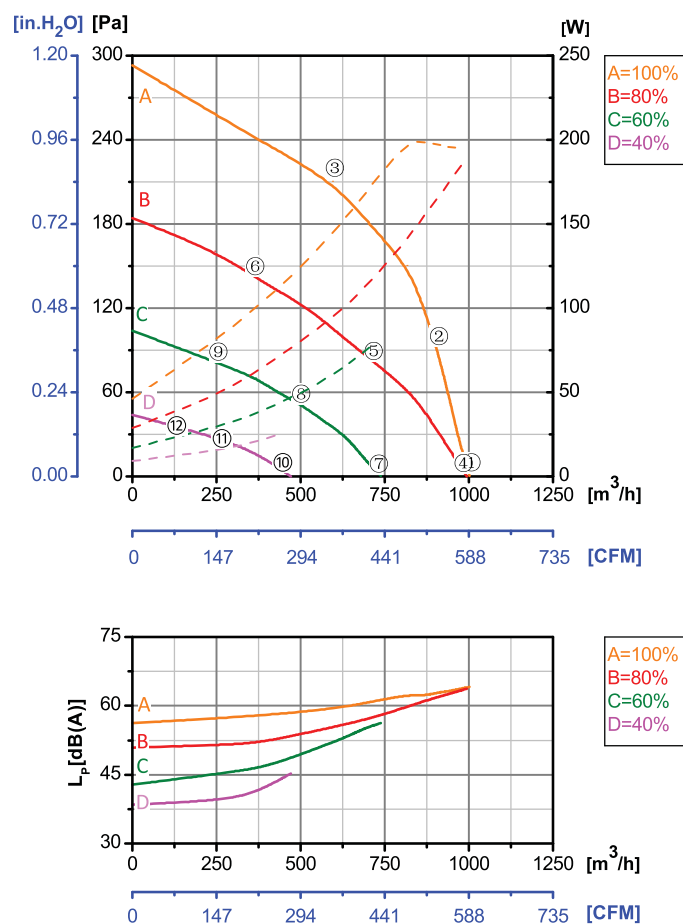
EC 前倾离心及鼓风机  
EC Forward Curved Centrifugal Fan and Blower



Φ 133-H (Dual-inlet)

转子材质 Rotor Material: 碳钢 Carbon steel  
 蜗壳材质 Housing Material: 碳钢 Carbon steel  
 叶轮材质 Impeller Material: 镀锌板 Galvanized steel sheet  
 防护等级 Ingress Protection: IP44  
 绝缘等级 Insulation Class: F  
 轴承类型 Bearing Type: 免维护滚珠轴承  
 Maintenance free ball bearing

性能曲线 Performance Curves

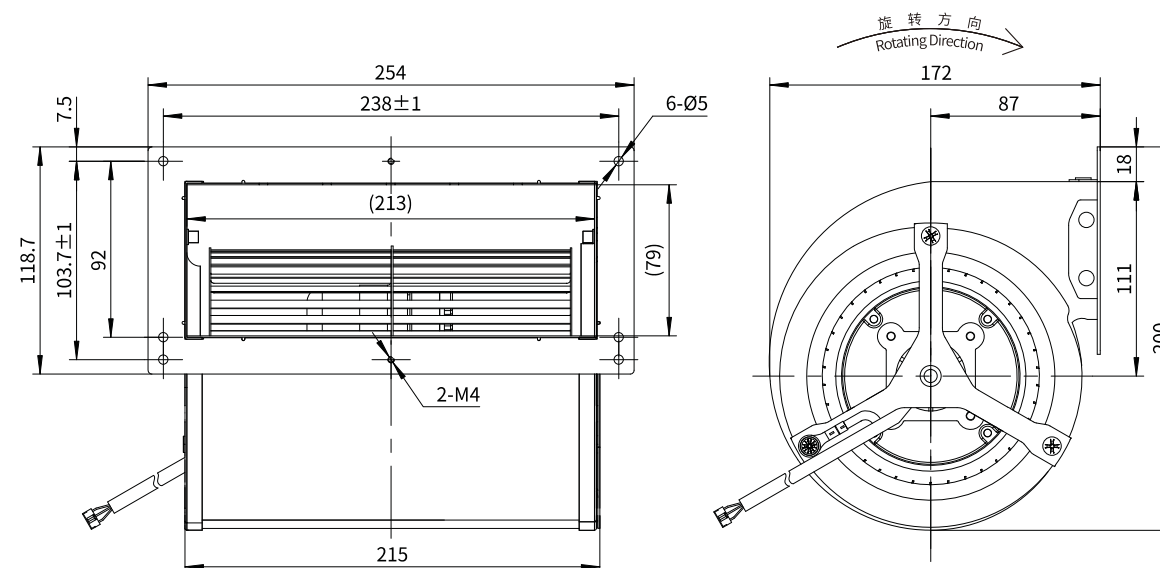


测试节点 Test Point	转速 Speed rpm	输入功率 Input Power W
1	1997	197
2	2270	198
3	2502	144
4	2004	190
5	2004	120
6	2000	63
7	1518	83
8	1518	50
9	1512	30
10	1010	27
11	1009	19
12	1007	14

Erp2015 Data:  
 Efficiency  $\eta_{statA} = *%$   
 Efficiency grade  $N_{actual} = *, N_{target} = 44$   
 Test report No. : L-20210302-003-034

产品型号 Model No.	电压 Voltage	频率 Frequency	转速 Speed	输入功率 Input Power	电流 Current	运行温度 Working Temp.	认证 Approvals
	VAC	Hz	RPM	W	A	Min/Max (°C)	
EC92-F133-010	1~220/230	50/60	2130	200	1.40	-20/+60	CCC,CE

鼓风机 Blower



外接控制器 External Controller

