



机翼形塑料叶片轴流风机
Plastic Airfoil Blade Axial Fan

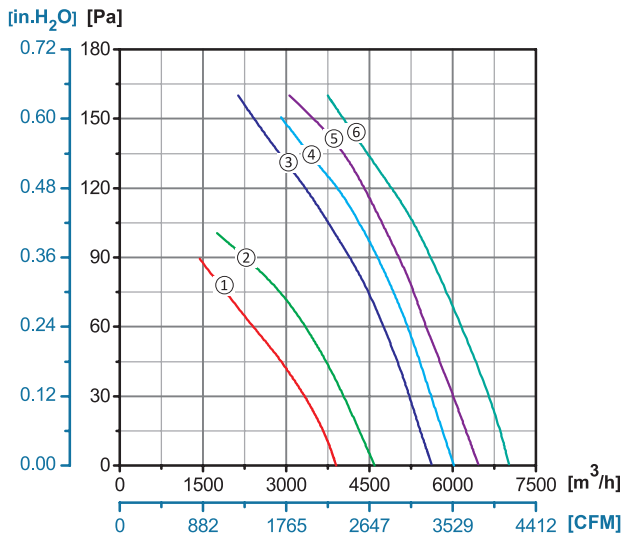
ErP2015
EXCEEDS THE NORM








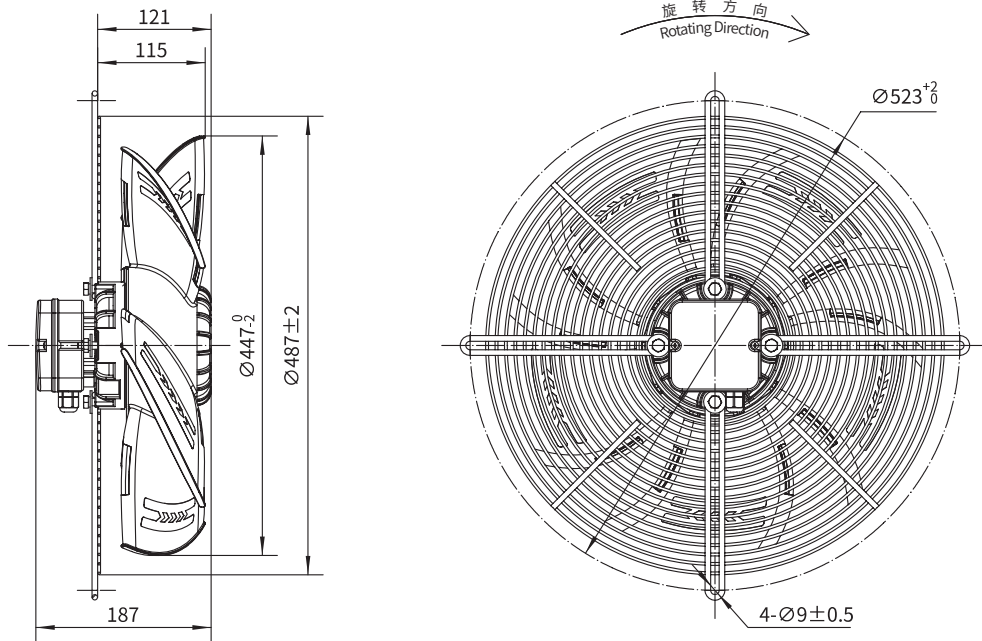
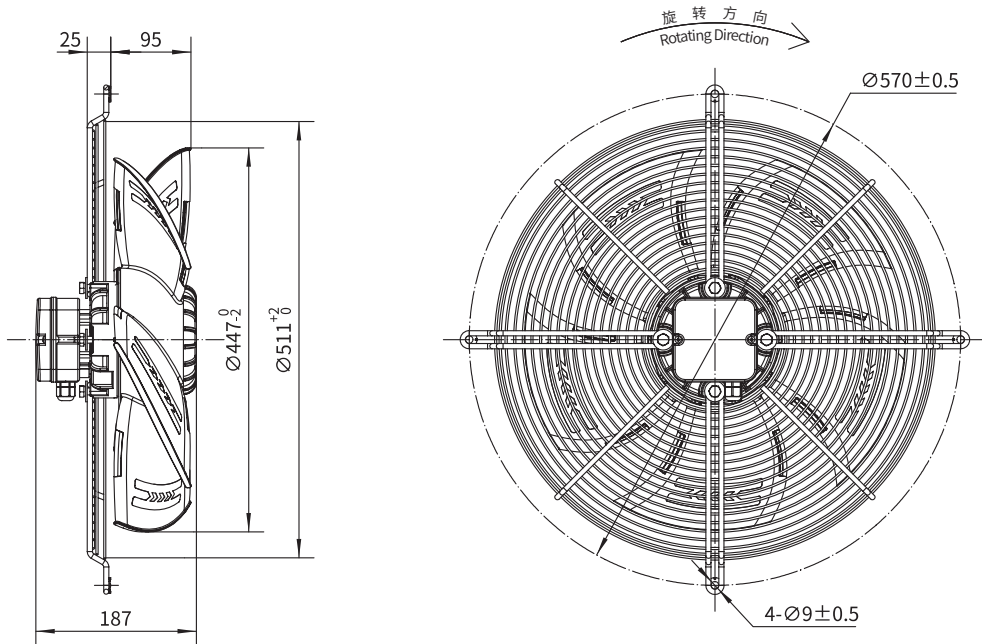
Φ450


转子材质 Rotor Material: 铸铝 Aluminum Die-casting
 叶轮材质 Impeller Material: 塑料 Plastic
 防护等级 Ingress Protection: IP54
 绝缘等级 Insulation Class: F
 轴承类型 Bearing Type: 免维护滚珠球轴承
 Maintenance Free Ball Bearing

性能曲线 Performance Curves



 Type B	 Type C	 Type D	 Type E	 Type F0
YWF.A4S-450S-5B AP0	YWF.A4S-450S-5C AP0	YWF.A4S-450S-5D AP0	YWF.A4S-450S-5E AP0	YWF.A4S-450S-5F AP0
YWF.A4T-450S-5B AP0	YWF.A4T-450S-5C AP0	YWF.A4T-450S-5D AP0	YWF.A4T-450S-5E AP0	YWF.A4T-450S-5F AP0
YWF.A6S-450S-5B AP0	YWF.A6S-450S-5C AP0	YWF.A6S-450S-5D AP0	YWF.A6S-450S-5E AP0	YWF.A6S-450S-5F AP0
YWF.A6T-450S-5B AP0	YWF.A6T-450S-5C AP0	YWF.A6T-450S-5D AP0	YWF.A6T-450S-5E AP0	YWF.A6T-450S-5F AP0

B 型网罩 Type B

C 型网罩 Type C


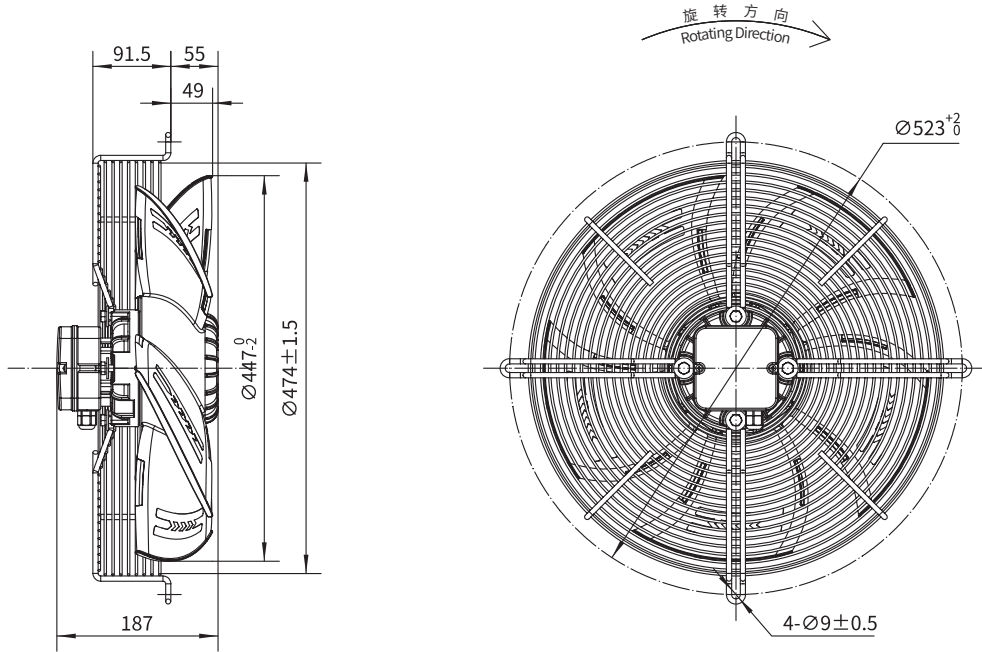
	电压 Voltage	频率 Frequency	电流 Current	功率 Power	转速 Speed	电容 Capacitor	风量 Air Flow (0 Pa)	噪音 Noise	曲线 Curve	运行温度 Working Temp.	认证 Approvals
Type F1	V	Hz	A	W	RPM	μF	$[\text{m}^3/\text{h}]/[\text{CFM}]$	dB(A)	No.	Min/Max($^{\circ}\text{C}$)	
/	220/230	50	1.50	330	1350	10	6020/3540	64	④	-30/+60	CCC, CE
/	220/230	60	2.10	460	1530	10	7020/4130	65	⑥	-30/+60	CCC, CE
/	380/400	50	0.73	300	1370	/	5620/3305	66	③	-30/+60	CCC, CE
/	380/400	60	0.82	440	1540	/	6460/3800	69	⑤	-30/+60	CCC, CE
/	220/230	50	0.68	140	930	4	3860/2270	56	①	-30/+60	CCC, CE
/	220/230	60	0.77	175	1070	4	4500/2645	62	②	-30/+60	CCC, CE
/	380/400	50	0.62	145	950	/	3900/2295	57	①	-30/+60	CCC, CE
/	380/400	60	0.52	175	1100	/	4590/2700	60	②	-30/+60	CCC, CE



机翼形塑料叶片轴流风机
Plastic Airfoil Blade Axial Fan

Φ450

D 型网罩 Type D





机翼形塑料叶片轴流风机
Plastic Airfoil Blade Axial Fan

Φ450

F0 型面板 Type F0

