

EC 前倾离心及鼓风机
EC Forward Curved Centrifugal Fan and Blower

ErP2015
EXCEEDS THE NORM

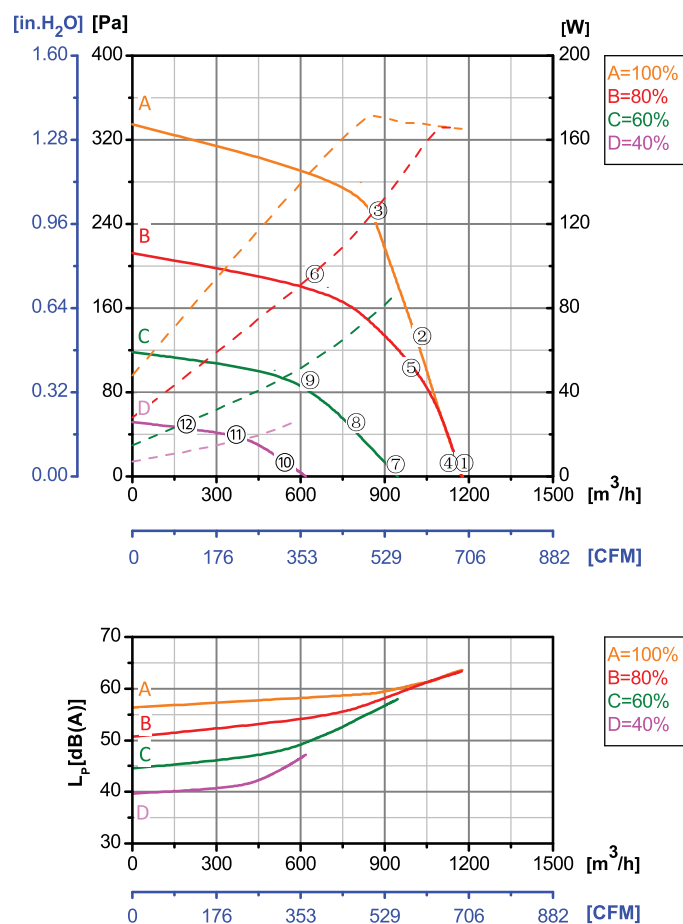
鼓风机 Blower



Φ 146-L (Dual-inlet)

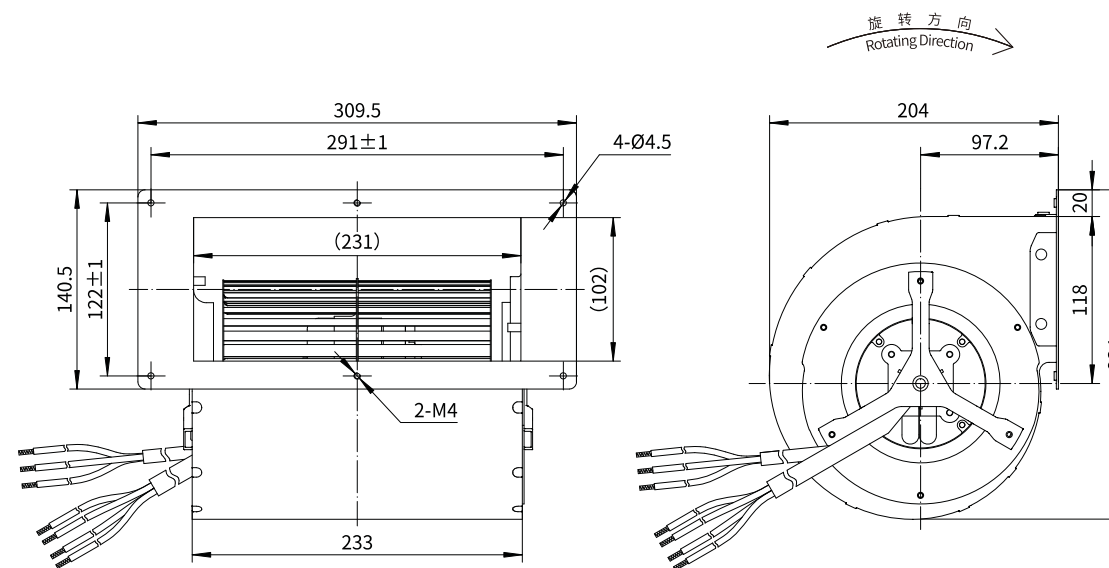
转子材质 Rotor Material: 碳钢 Carbon steel
 蜗壳材质 Housing Material: 碳钢 Carbon steel
 叶轮材质 Impeller Material: 镀锌板 Galvanized steel sheet
 防护等级 Ingress Protection: IP44
 绝缘等级 Insulation Class: F
 轴承类型 Bearing Type: 免维护滚珠球轴承
 Maintenance free ball bearing

性能曲线 Performance Curves



测试节点 Test Point	转速 Speed rpm	输入功率 Input Power W
1	1698	165
2	1926	168
3	2163	171
4	1704	165
5	1843	158
6	1842	100
7	1381	87
8	1381	71
9	1380	55
10	921	28
11	920	22
12	921	17

Erp2015 Data:
 Efficiency η_{statA} = 41.6%
 Efficiency grade N_{actual} = 52.7, N_{target} = 44
 Test report No. : L-20210302 - 003 - 035



产品型号 Model No.	电压 Voltage	频率 Frequency	转速 Speed	输入功率 Input Power	电流 Current	运行温度 Working Temp.	认证 Approvals
	VAC	Hz	RPM	W	A	Min/Max (°C)	
EC92-F146-020	1~220/230	50/60	1830	165	1.30	-20/+60	CCC,CE,UL