

EC 前倾离心及鼓风机
EC Forward Curved Centrifugal Fan and Blower

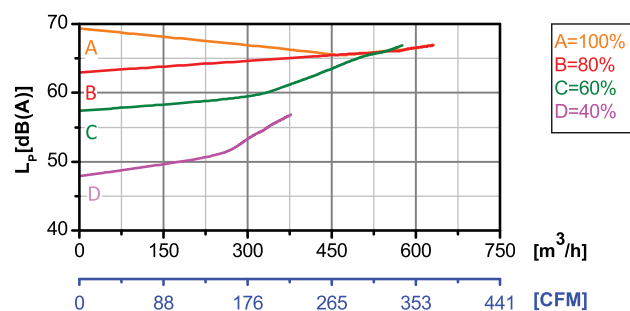
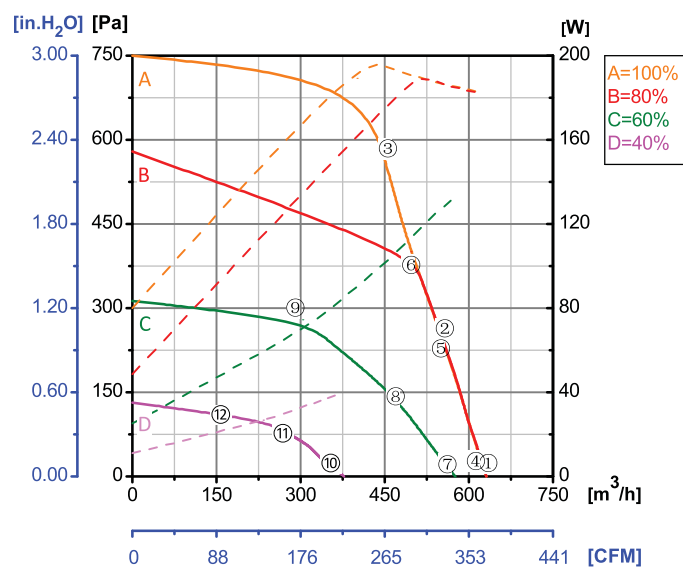
ErP2015
EXCEEDS THE NORM



Φ 150

转子材质 Rotor Material: 碳钢 Carbon steel
 蜗壳材质 Housing Material: 碳钢 Carbon steel
 叶轮材质 Impeller Material: 镀锌板 Galvanized steel sheet
 防护等级 Ingress Protection: IP44
 绝缘等级 Insulation Class: F
 轴承类型 Bearing Type: 免维护滚珠轴承
 Maintenance free ball bearing

性能曲线 Performance Curves

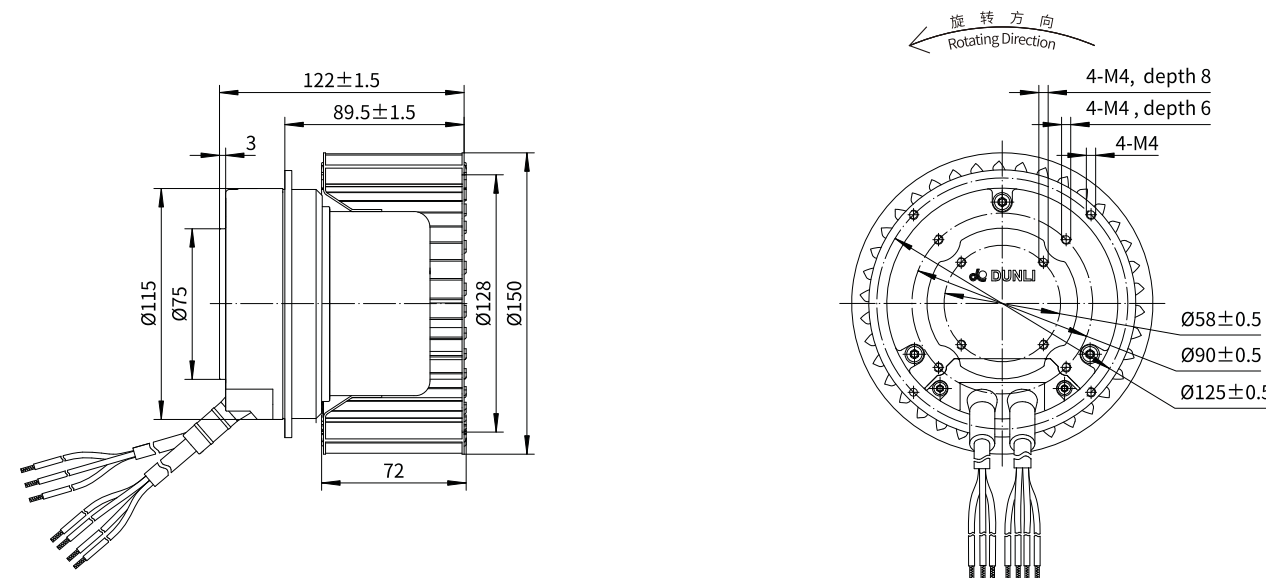


测试节点 Test Point	转速 Speed rpm	输入功率 Input Power W
1	2654	181
2	2919	186
3	3352	194
4	2656	182
5	2869	185
6	3076	189
7	2413	133
8	2407	110
9	2701	70
10	1604	40
11	1597	35
12	1599	30

Erp2015 Data:
 Efficiency η_{statA} = 45.2%
 Efficiency grade N_{actual} = 55.9, N_{target} = 44
 Test report No. : L-20210302 -003-031

产品型号 Model No.	电压 Voltage	频率 Frequency	转速 Speed	输入功率 Input Power	电流 Current	运行温度 Working Temp.	认证 Approvals
	VAC	Hz	RPM	W	A	Min/Max (°C)	
EC92-F150-033	1~220/230	50/60	2680	180	1.45	-20/+60	CCC,CE,UL

前倾离心风机 Motorized Forward Curved Impeller



鼓风机 Blower

