

EC 前倾离心及鼓风机
EC Forward Curved Centrifugal Fan and Blower

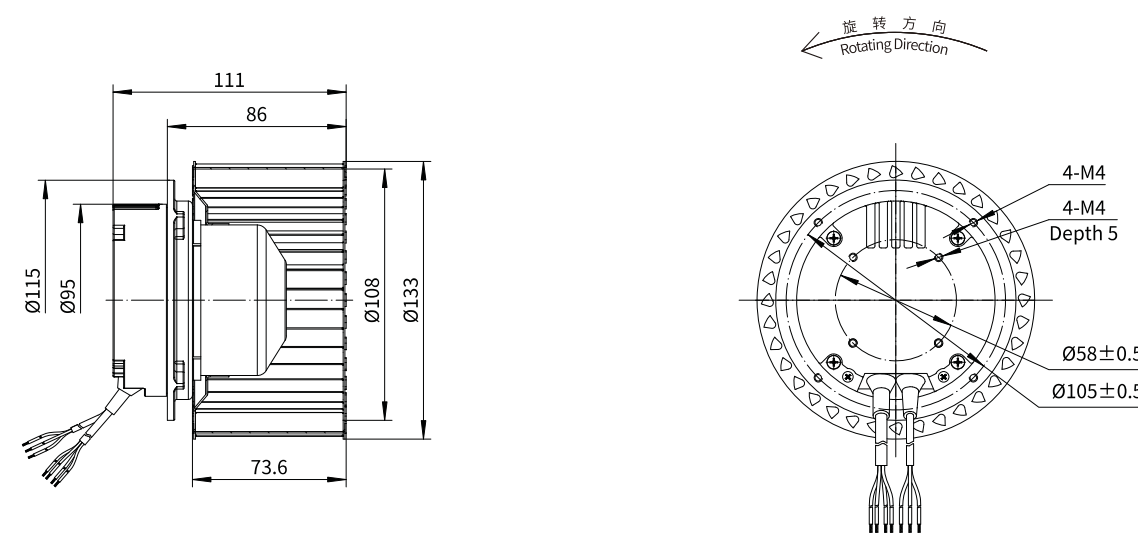
ErP2015
EXCEEDS THE NORM

前倾离心风机 Motorized Forward Curved Impeller

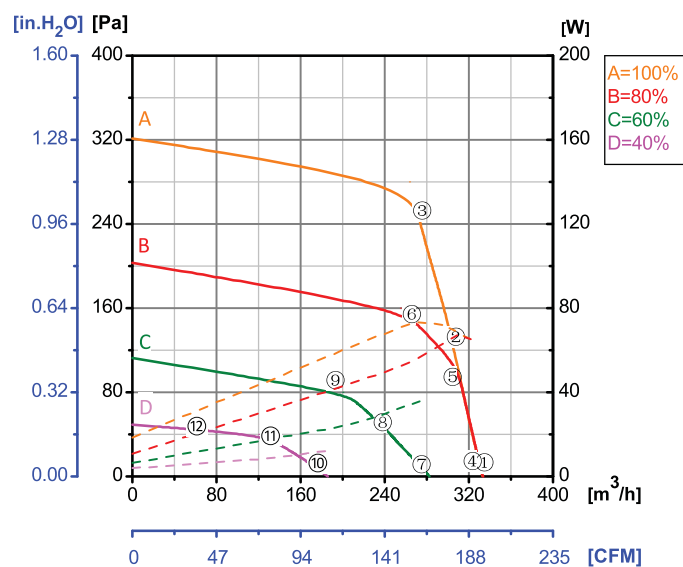


Φ 133

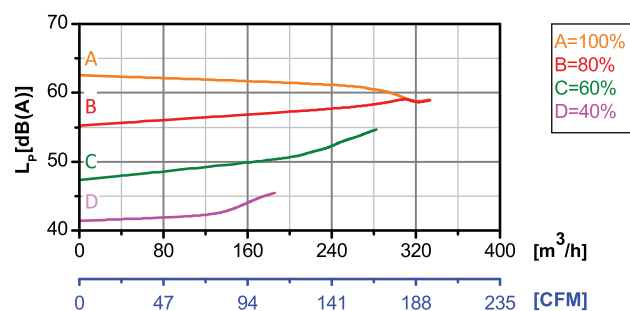
转子材质 Rotor Material: 碳钢 Carbon steel
 蜗壳材质 Housing Material: 碳钢 Carbon steel
 叶轮材质 Impeller Material: 镀锌板 Galvanized steel sheet
 防护等级 Ingress Protection: IP44
 绝缘等级 Insulation Class: F
 轴承类型 Bearing Type: 免维护滚珠球轴承
 Maintenance free ball bearing



性能曲线 Performance Curves

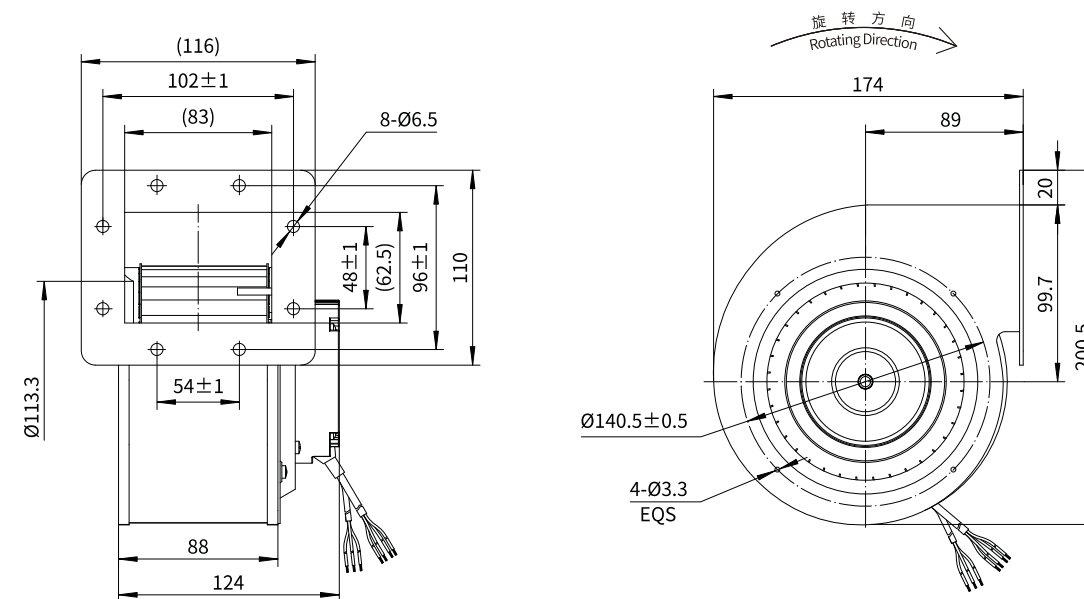


测试节点 Test Point	转速 Speed rpm	输入功率 Input Power W
1	1966	62
2	2275	69
3	2571	73
4	1968	62
5	2171	66
6	2226	57
7	1681	37
8	1673	30
9	1672	24
10	1129	12
11	1115	10
12	1115	8



Erp2015 Data:
 Efficiency $\eta_{statA} = \% < 125W$
 Efficiency grade $N_{actual} = *, N_{target} = 44$
 Test report No. : L-20210302-003-012

鼓风机 Blower



产品型号 Model No.	电压 Voltage	频率 Frequency	转速 Speed	输入功率 Input Power	电流 Current	运行温度 Working Temp.	认证 Approvals
	VAC	Hz	RPM	W	A	Min/Max (°C)	
EC72-F133-002	1~220/230	50/60	2000	65	0.58	-20/+60	CCC,CE