

EC 金属叶轮后倾离心风机
EC Backward Centrifugal Fan with Metal Impeller

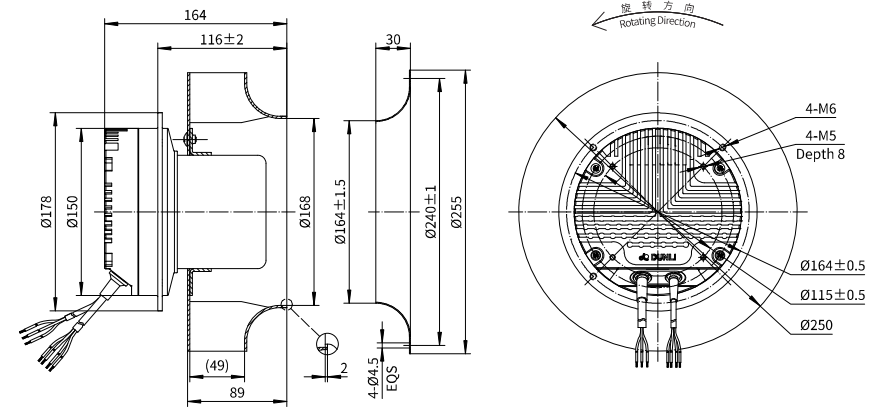
Erp2015
EXCEEDS THE NORM

后倾离心风机 Motorized Backward Curved Impeller

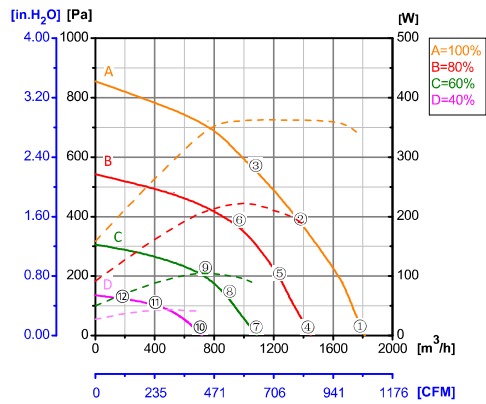


Φ 250-H

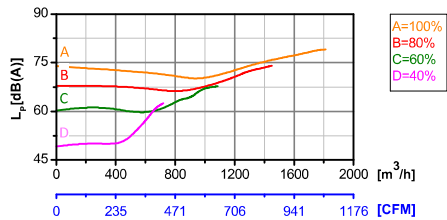
转子材质 Rotor Material: 碳钢 Carbon steel
 叶轮材质 Impeller Material: 铝合金 Aluminum alloy sheet
 防护等级 Ingress Protection: IP54
 绝缘等级 Insulation Class: F
 轴承类型 Bearing Type: 免维护滚珠轴承
 Maintenance free ball bearing



性能曲线 Performance Curves



测试节点 Test Point	转速 Speed rpm	输入功率 Input Power W
1	3283	328
2	3172	362
3	3124	364
4	2628	179
5	2630	205
6	2631	223
7	1970	87
8	1974	100
9	1974	105
10	1313	39
11	1314	43
12	1314	39



Erp2015 Data:
 Efficiency $\eta_{statA} = 51.2\%$
 Efficiency grade $N_{actual} = 66.3, N_{target} = 62$
 Test report No. : L-20210302-005-046

产品型号 Model No.	电压 Voltage	频率 Frequency	转速 Speed	输入功率 Input Power	电流 Current	运行温度 Working Temp.	认证 Approvals
	VAC	Hz	RPM	W	A	Min/Max (°C)	
EC102-B250-030	1~220/230	50/60	3300	350	1.60	-20/+60	CCC, CE