

EC 金属叶轮后倾离心风机
EC Backward Centrifugal Fan with Metal Impeller

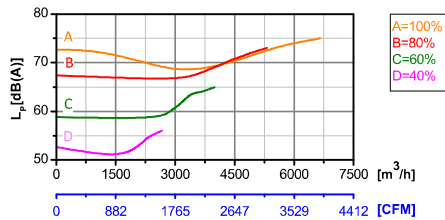
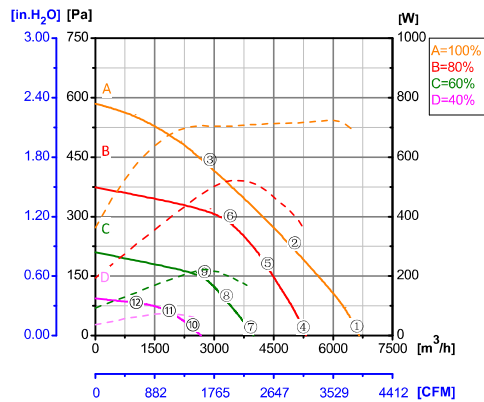
Erp2015
EXCEEDS THE NORM



Φ 450

转子材质 Rotor Material: 碳钢 Carbon steel
 叶轮材质 Impeller Material: 铝合金 Aluminum alloy sheet
 防护等级 Ingress Protection: IP54
 绝缘等级 Insulation Class: F
 轴承类型 Bearing Type: 免维护滚珠轴承
 Maintenance free ball bearing

性能曲线 Performance Curves

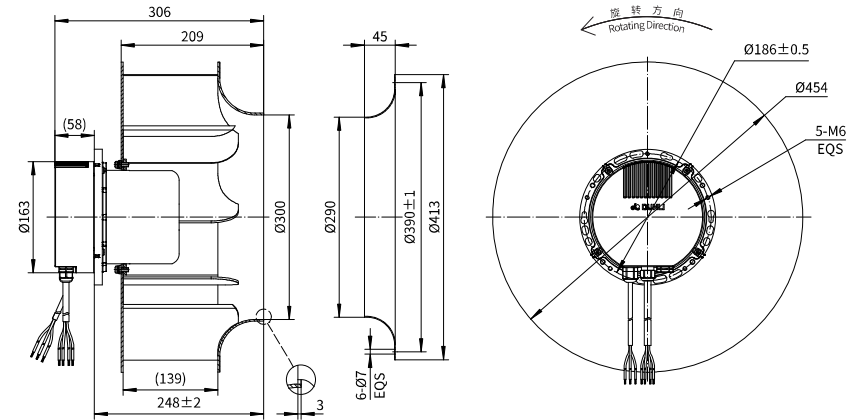


测试节点 Test Point	转速 Speed rpm	输入功率 Input Power W
1	1453	661
2	1334	714
3	1310	704
4	1164	346
5	1169	474
6	1168	524
7	874	155
8	873	199
9	874	222
10	582	57
11	578	66
12	581	74

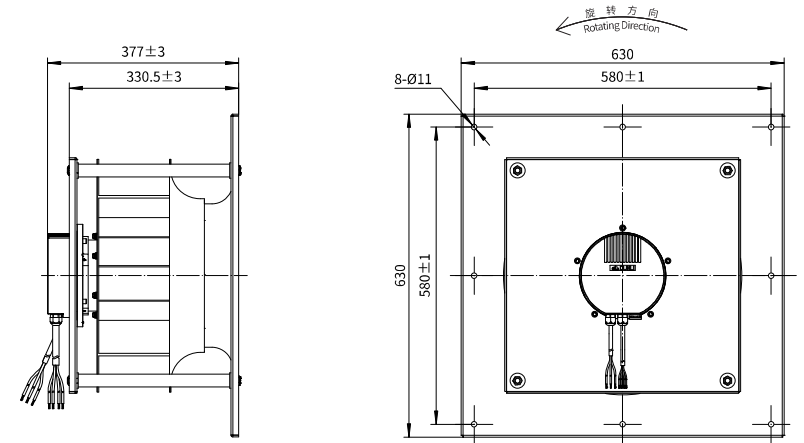
Erp2015 Data:
 Efficiency η_{statA} = 56.3%
 Efficiency grade N_{actual} = 68.5, N_{target} = 62
 Test report No. : L-20210302-005-068

产品型号 Model No.	电压 Voltage	频率 Frequency	转速 Speed	输入功率 Input Power	电流 Current	运行温度 Working Temp.	认证 Approvals
	VAC	Hz	RPM	W	A	Min/Max (°C)	
EC137-B450-002	1~220/230	50/60	1450	600	3.70	-20/+60	CCC, CE

后倾离心风机 Motorized Backward Curved Impeller



带支架 With Supporting Rack



金属叶轮后倾离心
Metal Impeller ByC Centrifugal