

EC 金属叶轮后倾离心风机  
EC Backward Centrifugal Fan with Metal Impeller

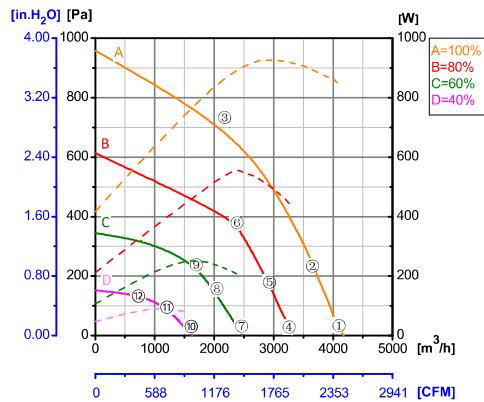
Erp2015  
EXCEEDS THE NORM



Φ 310 (3-phase)

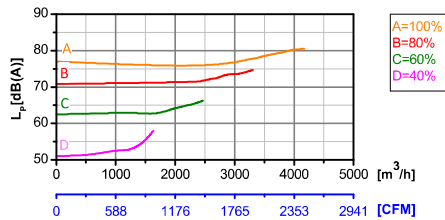
转子材质 Rotor Material: 碳钢 Carbon steel  
 叶轮材质 Impeller Material: 铝合金 Aluminum alloy sheet  
 防护等级 Ingress Protection: IP54  
 绝缘等级 Insulation Class: F  
 轴承类型 Bearing Type: 免维护滚珠轴承  
 Maintenance free ball bearing

性能曲线 Performance Curves



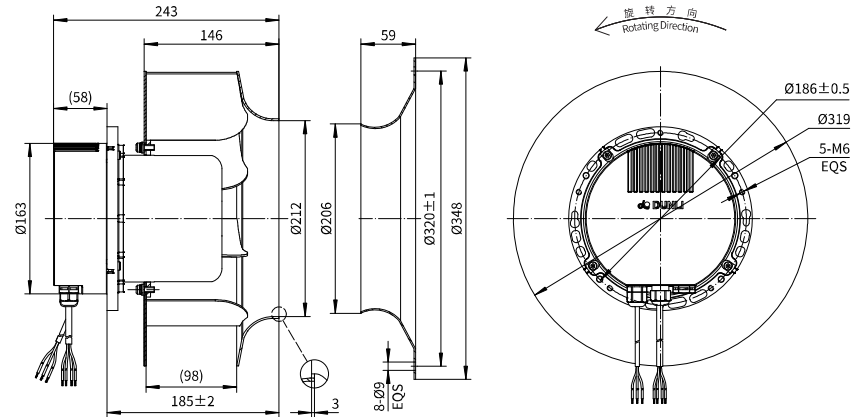
测试节点 Test Point	转速 Speed rpm	输入功率 Input Power W
1	2643	825
2	2584	885
3	2521	914
4	2113	430
5	2119	498
6	2116	555
7	1586	195
8	1587	243
9	1587	252
10	1064	75
11	1058	86
12	1057	89

Erp2015 Data:  
 Efficiency  $\eta_{statA}$ =52.2%  
 Efficiency grade  $N_{actual}$ =63.1,  $N_{target}$ =62  
 Test report No. : L-20210302-004-000

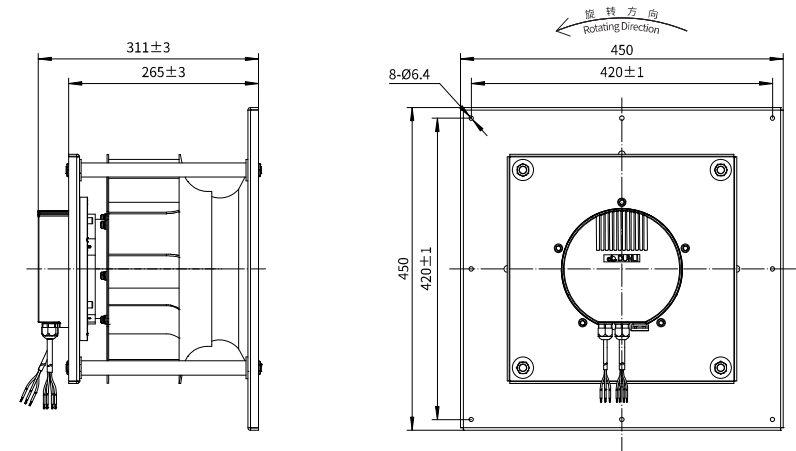


产品型号 Model No.	电压 Voltage	频率 Frequency	转速 Speed	输入功率 Input Power	电流 Current	运行温度 Working temp.	认证 Approvals
	VAC	Hz	RPM	W	A	Min/Max (°C)	
EC137-B310-001	3~380/400	50/60	2700	860	1.5	-20/+60	CCC, CE

后倾离心风机 Motorized Backward Curved Impeller



带支架 With Supporting Rack



金属叶轮后倾离心  
Metal Impeller ByC Centrifugal