

EC 金属叶轮后倾离心风机
EC Backward Centrifugal Fan with Metal Impeller

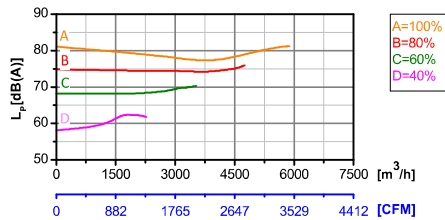
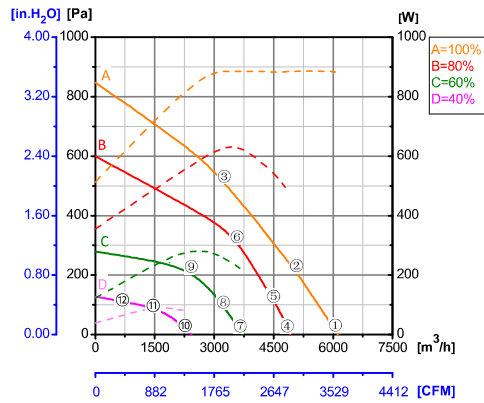
Erp2015
EXCEEDS THE NORM



Φ 400 (3-phase)

转子材质 Rotor Material: 碳钢 Carbon steel
 叶轮材质 Impeller Material: 铝合金 Aluminum alloy sheet
 防护等级 Ingress Protection: IP54
 绝缘等级 Insulation Class: F
 轴承类型 Bearing Type: 免维护滚珠轴承
 Maintenance free ball bearing

性能曲线 Performance Curves

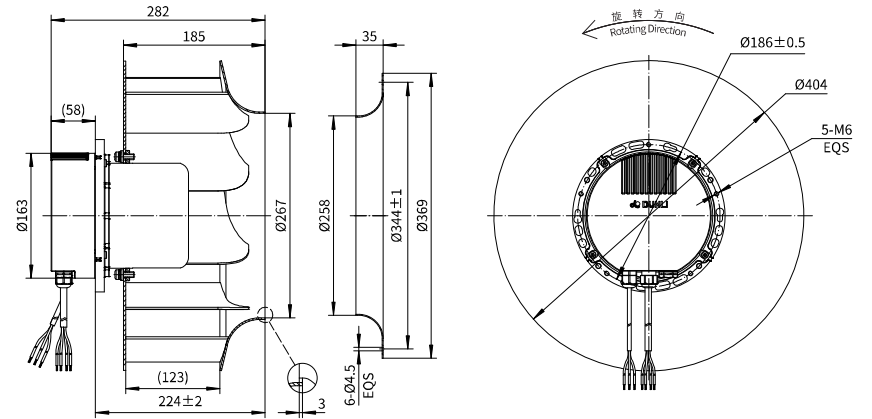


测试节点 Test Point	转速 Speed rpm	输入功率 Input Power W
1	1895	883
2	1770	885
3	1712	885
4	1515	469
5	1511	535
6	1516	632
7	1140	215
8	1142	251
9	1144	283
10	746	73
11	745	88
12	747	86

Erp2015 Data:
 Efficiency η_{statA} = 56.8%
 Efficiency grade N_{actual} = 67.9, N_{target} = 62
 Test report No. : L-20210302-003-065

产品型号 Model No.	电压 Voltage	频率 Frequency	转速 Speed	输入功率 Input Power	电流 Current	运行温度 Working Temp.	认证 Approvals
	VAC	Hz	RPM	W	A	Min/Max (°C)	
EC137-B400-001	3~380/400	50/60	2000	950	1.65	-20/+60	CCC, CE

后倾离心风机 Motorized Backward Curved Impeller



带支架 With Supporting Rack

