

EC 复翼叶轮后倾离心风机  
EC Backward Curved Centrifugal Fan with Aileron Impeller

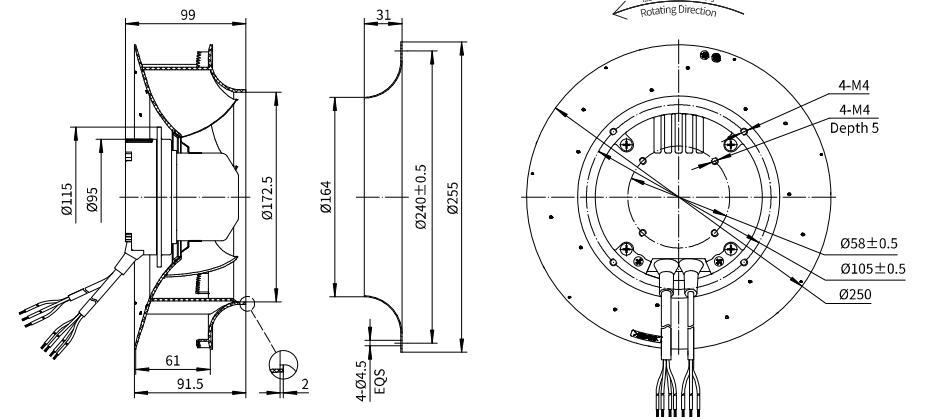
Erp2015  
EXCEEDS THE NORM

后倾离心风机 Motorized Backward Curved Impeller

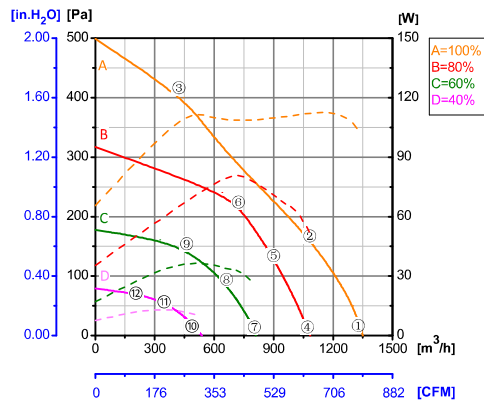


Φ 250-L

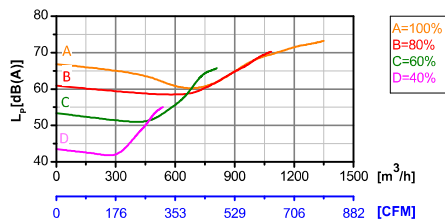
转子材质 Rotor Material: 碳钢 Carbon steel  
 叶轮材质 Impeller Material: 塑料 Plastic  
 防护等级 Ingress Protection: IP44  
 绝缘等级 Insulation Class: F  
 轴承类型 Bearing Type: 免维护滚珠轴承  
 Maintenance free ball bearing



性能曲线 Performance Curves



| 测试节点<br>Test Point | 转速<br>Speed<br>rpm | 输入功率<br>Input Power<br>W |
|--------------------|--------------------|--------------------------|
| 1                  | 2457               | 100                      |
| 2                  | 2343               | 112                      |
| 3                  | 2305               | 114                      |
| 4                  | 1968               | 52                       |
| 5                  | 1970               | 70                       |
| 6                  | 1977               | 81                       |
| 7                  | 1474               | 23                       |
| 8                  | 1502               | 33                       |
| 9                  | 1503               | 36                       |
| 10                 | 989                | 10                       |
| 11                 | 995                | 12                       |
| 12                 | 994                | 13                       |



Erp2015 Data:  
 Efficiency  $\eta_{statA}$  = 61.1%  
 Efficiency grade  $N_{actual}$  = 81.7,  $N_{target}$  = 62  
 Test report No. : L-20210302 -005-009

| 产品型号<br>Model No. | 电压<br>Voltage | 频率<br>Frequency | 转速<br>Speed | 输入功率<br>Input Power | 电流<br>Current | 运行温度<br>Working temp. | 认证<br>Approvals |
|-------------------|---------------|-----------------|-------------|---------------------|---------------|-----------------------|-----------------|
|                   | VAC           | Hz              | RPM         | W                   | A             | Min/Max (°C)          |                 |
| EC72-B250-004     | 1~220/230     | 50/60           | 2450        | 105                 | 0.87          | -20/+60               | CCC, CE         |