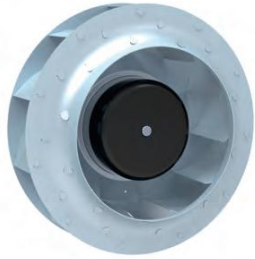


DC 金属叶轮后倾离心风机
DC Backward Centrifugal Fan with Metal Impeller

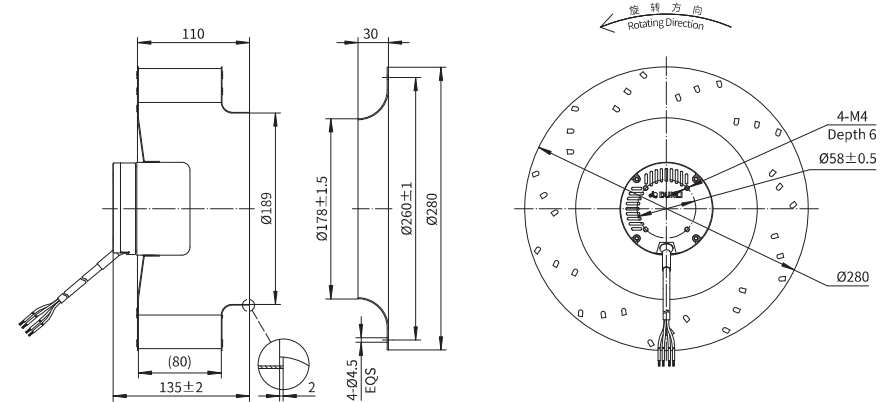
Erp2015
EXCEEDS THE NORM

后倾离心风机 Motorized Backward Curved Impeller

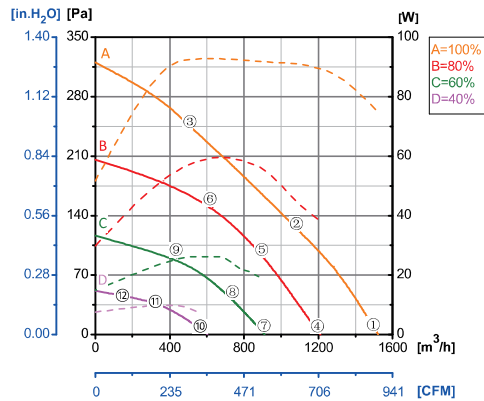


Φ 280

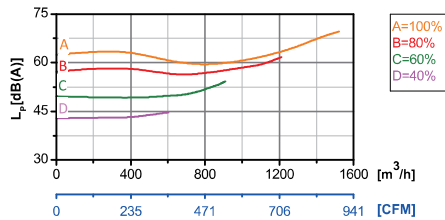
转子材质 Rotor Material: 碳钢 Carbon steel
 叶轮材质 Impeller Material: 镀锌板 Galvanized steel sheet
 防护等级 Ingress Protection: IP42
 绝缘等级 Insulation Class: F
 轴承类型 Bearing Type: 免维护滚珠球轴承
 Maintenance free ball bearing



性能曲线 Performance Curves



| 测试节点 Test Point | 转速 Speed rpm | 输入功率 Input Power W |
|--------------------|--------------------|--------------------------|
| 1 | 1789 | 75 |
| 2 | 1697 | 91 |
| 3 | 1677 | 93 |
| 4 | 1433 | 38 |
| 5 | 1427 | 56 |
| 6 | 1425 | 61 |
| 7 | 1071 | 20 |
| 8 | 1073 | 24 |
| 9 | 1071 | 27 |
| 10 | 716 | 8 |
| 11 | 715 | 10 |
| 12 | 715 | 10 |



Erp2015 Data:
 Efficiency $\eta_{statA} = 51.9\%$
 Efficiency grade $N_{actual} = 73.3, N_{target} = 62$
 Test report No. : L-20210302-005-084

| 产品型号 Model No. | 电压 Voltage | 频率 Frequency | 转速 Speed | 输入功率 Input Power | 电流 Current | 运行温度 Working temp. | 认证 Approvals |
|-------------------|---------------|-----------------|-------------|---------------------|---------------|-----------------------|-----------------|
| | VDC | Hz | RPM | W | A | Min/Max (°C) | |
| DC92-B280-A36 | 24 | / | 1750 | 90 | 3.80 | -20/+60 | CE |
| DC92-B280-O36 | 48 | / | 1750 | 90 | 1.88 | -20/+60 | CCC, CE |
| DC92-B280-D36 | 310 | / | 1750 | 90 | 0.29 | -20/+60 | CCC, CE |