

EC 前倾离心及鼓风机  
EC Forward Curved Centrifugal Fan and Blower

Erp2015  
EXCEEDS THE NORM

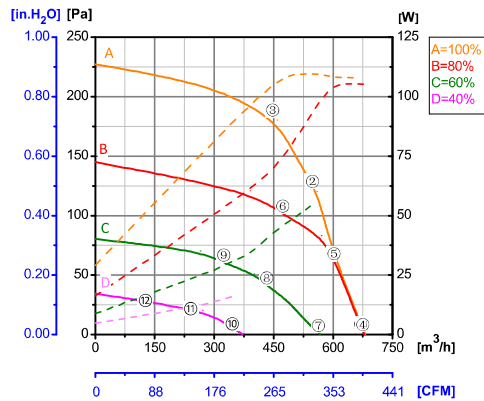
鼓风机 Blower



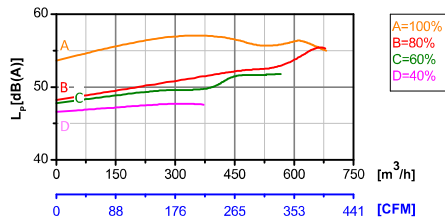
Φ 133-L (Dual-inlet)

转子材质 Rotor Material: 碳钢 Carbon steel  
 蜗壳材质 Housing Material: 碳钢 Carbon steel  
 叶轮材质 Impeller Material: 镀锌板 Galvanized steel sheet  
 防护等级 Ingress Protection: IP44  
 绝缘等级 Insulation Class: F  
 轴承类型 Bearing Type: 免维护滚珠轴承  
 Maintenance free ball bearing

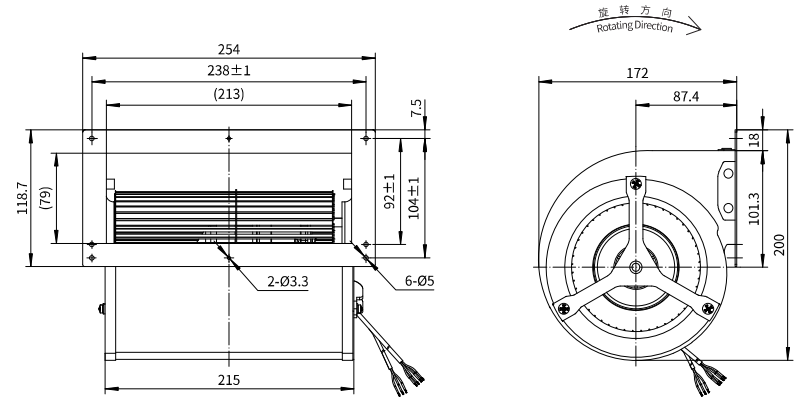
性能曲线 Performance Curves



测试节点 Test Point	转速 Speed rpm	输入功率 Input Power W
1	1646	107
2	2035	110
3	2222	108
4	1644	105
5	1791	105
6	1837	73
7	1382	57
8	1394	41
9	1392	29
10	931	17
11	931	15
12	927	12



Erp2015 Data:  
 Efficiency  $\eta_{statA} = \% < 125W$   
 Efficiency grade  $N_{actual} = *, N_{target} = 44$   
 Test report No. : L-20210302-003-013



产品型号 Model No.	电压 Voltage	频率 Frequency	转速 Speed	输入功率 Input Power	电流 Current	运行温度 Working Temp.	认证 Approvals
	VAC	Hz	RPM	W	A	Min/Max (°C)	
EC72-F133-004	1~220/230	50/60	1730	105	0.86	-20/+60	CCC, CE