

DC 金属叶轮后倾离心风机
DC Backward Centrifugal Fan with Metal Impeller

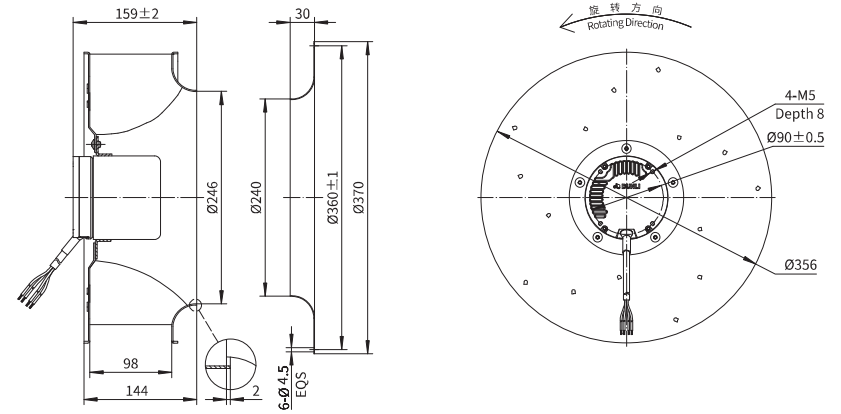
Erp2015
EXCEEDS THE NORM

后倾离心风机 Motorized Backward Curved Impeller

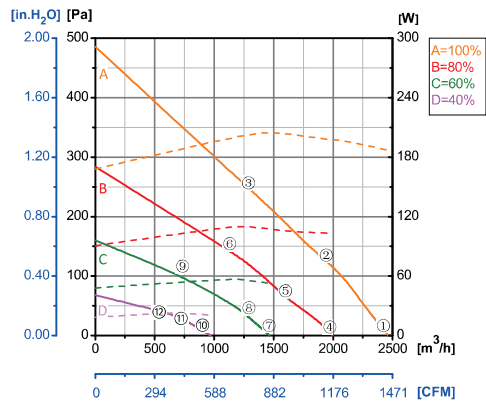


Φ 355

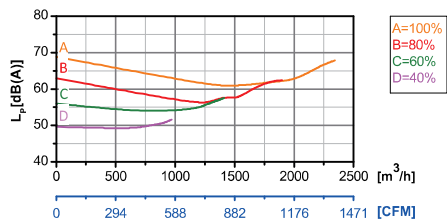
转子材质 Rotor Material: 碳钢 Carbon steel
 叶轮材质 Impeller Material: 铝合金 Aluminum alloy sheet
 防护等级 Ingress Protection: IP42
 绝缘等级 Insulation Class: F
 轴承类型 Bearing Type: 免维护滚珠轴承
 Maintenance free ball bearing



性能曲线 Performance Curves



测试节点 Test Point	转速 Speed rpm	输入功率 Input Power W
1	1515	187
2	1435	198
3	1392	205
4	1218	103
5	1147	105
6	1113	111
7	917	53
8	903	54
9	882	58
10	608	21
11	597	22
12	592	23



Erp2015 Data:
 Efficiency η_{statA} = 49.1%
 Efficiency grade N_{actual} = 66.8, N_{target} = 62
 Test report No. : L-20210302-005-100

产品型号 Model No.	电压 Voltage	频率 Frequency	转速 Speed	输入功率 Input Power	电流 Current	运行温度 Working temp.	认证 Approvals
	VDC	Hz	RPM	W	A	Min/Max (°C)	
DC102-B355-003	48	/	1560	180	3.70	-20/+60	CCC, CE