

DC 复翼叶轮后倾离心风机
DC Backward Curved Centrifugal Fan with Aileron Impeller

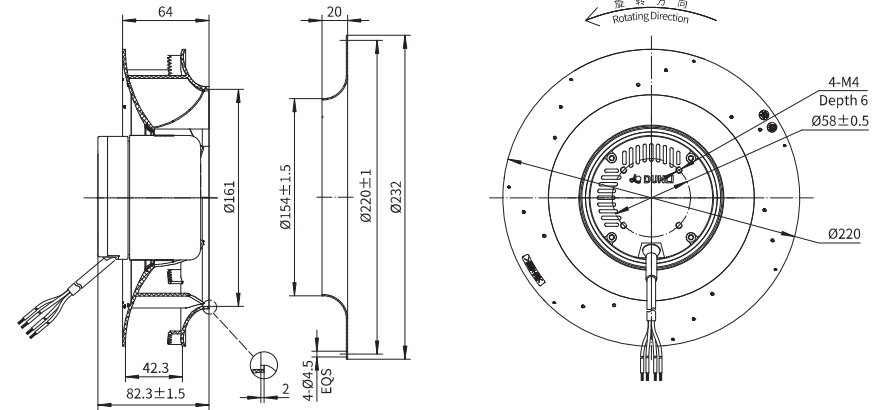
Erp2015
EXCEEDS THE NORM

后倾离心风机 Motorized Backward Curved Impeller

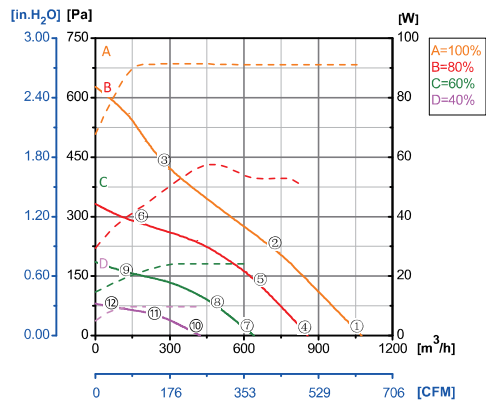


Φ 220-H

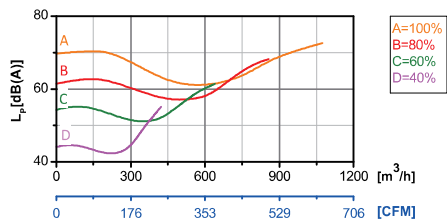
转子材质 Rotor Material: 碳钢 Carbon steel
 叶轮材质 Impeller Material: 塑料 Plastic
 防护等级 Ingress Protection: IP42
 绝缘等级 Insulation Class: F
 轴承类型 Bearing Type: 免维护滚珠轴承
 Maintenance free ball bearing



性能曲线 Performance Curves



测试节点 Test Point	转速 Speed rpm	输入功率 Input Power W
1	2780	91
2	2622	91
3	2742	91
4	2220	48
5	2217	53
6	2222	43
7	1665	24
8	1663	24
9	1666	19
10	1112	10
11	1111	10
12	1111	10



Erp2015 Data:
 Efficiency $\eta_{statA} = \% < 125W$
 Efficiency grade $N_{actual} = *, N_{target} = 62$
 Test report No. : L-20210302-005-082

产品型号 Model No.	电压 Voltage	频率 Frequency	转速 Speed	输入功率 Input Power	电流 Current	运行温度 Working temp.	认证 Approvals
	VDC	Hz	RPM	W	A	Min/Max (°C)	
DC92-B220-A01	24	/	2750	95	3.98	-20/+60	CE
DC92-B220-C01	48	/	2750	95	1.98	-20/+60	CCC, CE
DC92-B220-D01	310	/	2750	95	0.31	-20/+60	CCC, CE