

EC 复翼叶轮后倾离心风机
EC Backward Curved Centrifugal Fan with Aileron Impeller

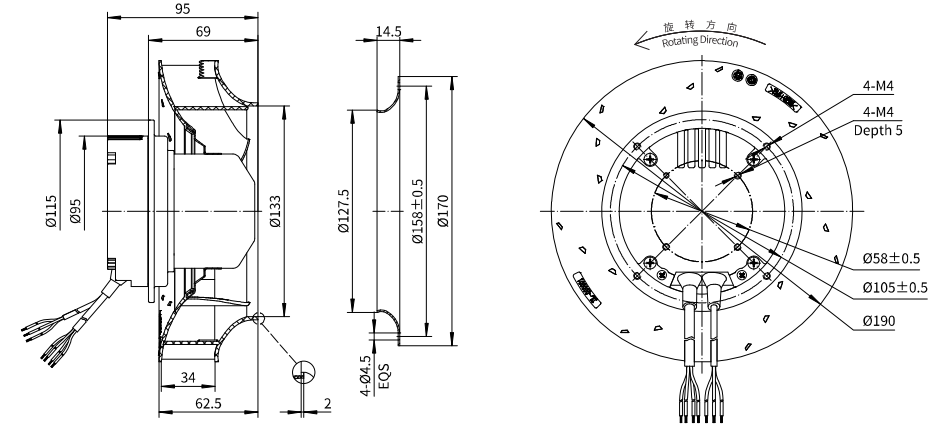
Erp2015
EXCEEDS THE NORM

后倾离心风机 Motorized Backward Curved Impeller

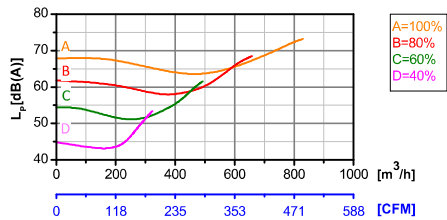
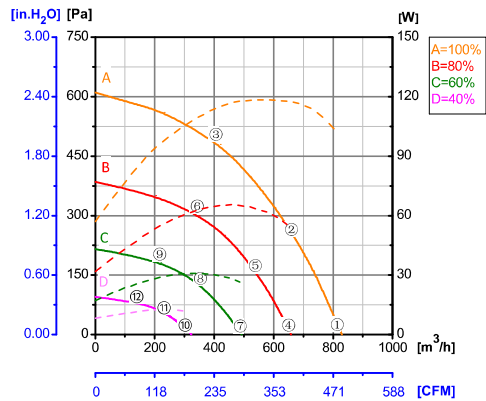


Φ 190-L

转子材质 Rotor Material: 碳钢 Carbon steel
 叶轮材质 Impeller Material: 塑料 Plastic
 防护等级 Ingress Protection: IP44
 绝缘等级 Insulation Class: F
 轴承类型 Bearing Type: 免维护滚珠球轴承
 Maintenance free ball bearing



性能曲线 Performance Curves



| 测试节点 Test Point | 转速 Speed rpm | 输入功率 Input Power W |
|--------------------|--------------------|--------------------------|
| 1 | 3561 | 100 |
| 2 | 3535 | 117 |
| 3 | 3535 | 117 |
| 4 | 2838 | 54 |
| 5 | 2846 | 63 |
| 6 | 2839 | 64 |
| 7 | 2128 | 26 |
| 8 | 2136 | 31 |
| 9 | 2136 | 29 |
| 10 | 1419 | 11 |
| 11 | 1427 | 12 |
| 12 | 1426 | 12 |

Erp2015 Data:
 Efficiency η_{statA} = 56.4%
 Efficiency grade N_{actual} = 76.6, N_{target} = 62
 Test report No. : L-20210302 -005-003

| 产品型号 Model No. | 电压 Voltage | 频率 Frequency | 转速 Speed | 输入功率 Input Power | 电流 Current | 运行温度 Working temp. | 认证 Approvals |
|-------------------|---------------|-----------------|-------------|---------------------|---------------|-----------------------|-----------------|
| | VAC | Hz | RPM | W | A | Min/Max (°C) | |
| EC72-B190-005 | 1~220/230 | 50/60 | 3570 | 105 | 0.87 | -20/+60 | CCC, CE |