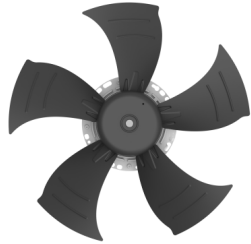


EC 常规金属叶片轴流风机
EC Conventional Carbon Steel Blade Axial Fan

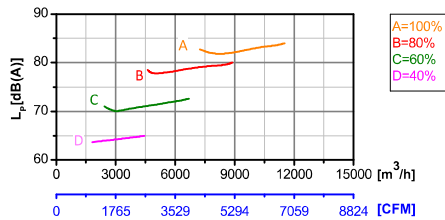
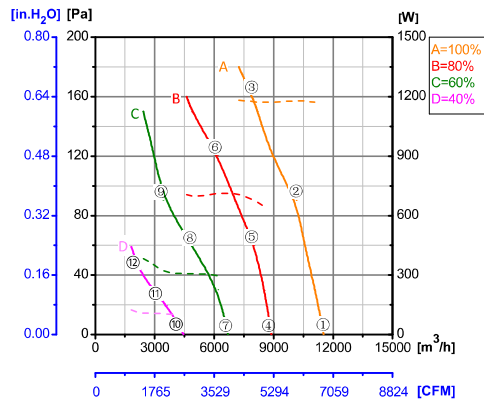
ErP2015
EXCEEDS THE NORM



Φ 550

转子材质 Rotor Material: 碳钢 Carbon steel
风叶材质 Blade Material: 碳钢 Carbon steel
防护等级 Ingress Protection: IP54
绝缘等级 Insulation Class: F
轴承类型 Bearing Type: 免维护滚珠轴承
Maintenance free ball bearing

性能曲线 Performance Curves

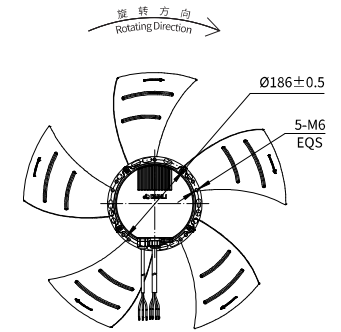
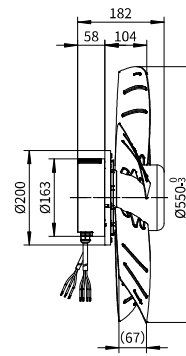


测试节点 Test Point	转速 Speed rpm	输入功率 Input Power W
1	1721	1171
2	1662	1179
3	1642	1177
4	1380	605
5	1382	675
6	1383	713
7	1031	272
8	1036	307
9	1038	309
10	695	97
11	695	106
12	697	107

Erp2015 Data:
Efficiency η_{statA} =33.8%
Efficiency grade $N_{actual}=40, N_{target}=40$
Test report No. : L-20211022 -015-111

产品型号 Model No.	电压 Voltage	频率 Frequency	转速 Speed	输入功率 Input Power	电流 Current	运行温度 Working Temp.	认证 Approvals
	VAC	Hz	RPM	W	A	Min/Max (°C)	
EC137-A550-C05	3~380/400	50/60	1800	1100	1.80	-20/+60	CCC, CE

风机本体 Type A



D 型网罩 Type D

