

DC 高效塑料叶轮后倾离心风机  
DC High-efficiency Backward Curved Centrifugal Fan

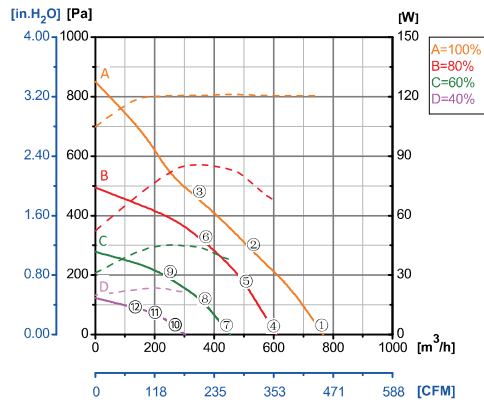
Erp2015  
EXCEEDS THE NORM



Φ 190

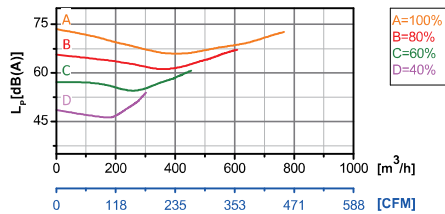
转子材质 Rotor Material: 碳钢 Carbon steel  
 叶轮材质 Impeller Material: 塑料 Plastic  
 防护等级 Ingress Protection: IP42  
 绝缘等级 Insulation Class: F  
 轴承类型 Bearing Type: 免维护滚珠轴承  
 Maintenance free ball bearing

性能曲线 Performance Curves



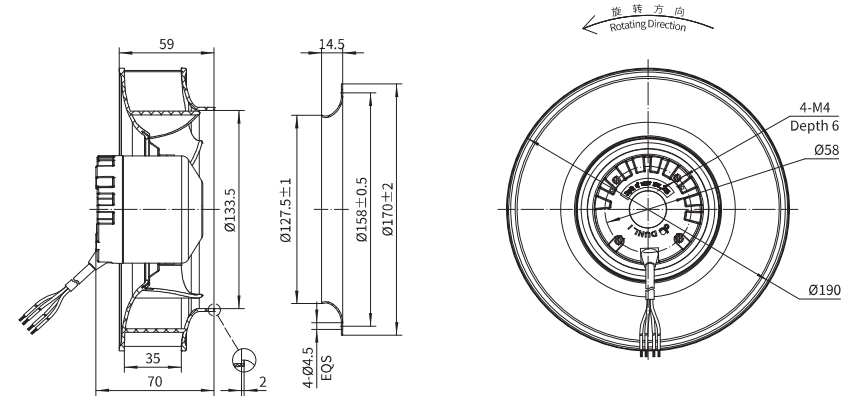
测试节点 Test Point	转速 Speed rpm	输入功率 Input Power W
1	3996	120
2	3613	120
3	3591	120
4	3193	68
5	3196	78
6	3193	86
7	2396	38
8	2398	43
9	2397	45
10	1599	21
11	1598	22
12	1599	23

Erp2015 Data:  
 Efficiency  $\eta_{statA} = \% < 125W$   
 Efficiency grade  $N_{actual} = , N_{target} = 62$   
 Test report NO. : L-20210302-005-107

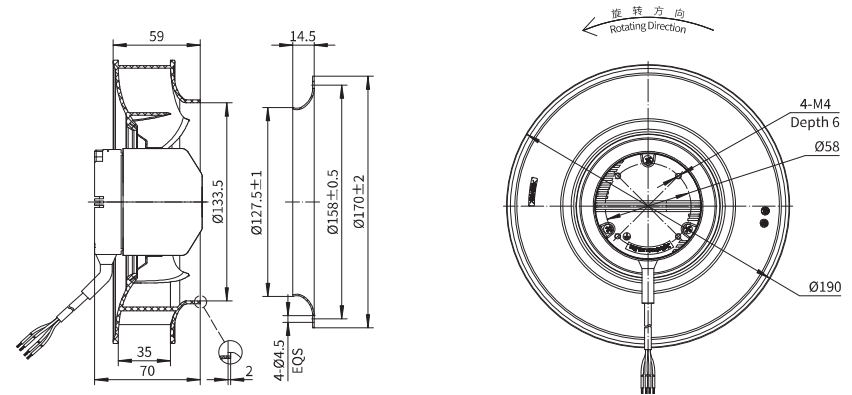


产品型号 Model No.	电压 Voltage	频率 Frequency	转速 Speed	输入功率 Input Power	电流 Current	运行温度 Working Temp.	认证 Approvals
	VDC	Hz	RPM	W	A	Min/Max (°C)	
DC72-B190-A01	24	/	4000	120	5.00	-20/+60	CE
DC72-B190-C01	48	/	4000	120	2.50	-20/+60	CCC,CE
DC72-B190-D10	310	/	4000	120	0.39	-20/+60	CCC,CE

后倾离心风机 Motorized Backward Curved Impeller (24V&48V)



后倾离心风机 Motorized Backward Curved Impeller (310V)



高效塑料叶轮后倾离心  
High-efficiency B/C Centrifugal