

EC 金属叶轮后倾离心风机
EC Backward Centrifugal Fan with Metal Impeller

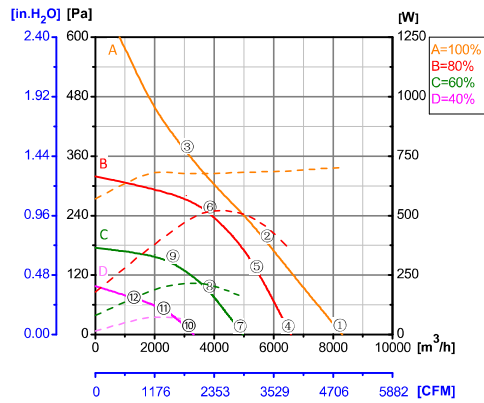
Erp2015
EXCEEDS THE NORM



Φ 500

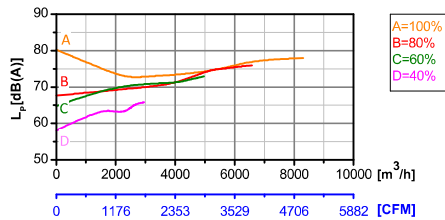
转子材质 Rotor Material: 碳钢 Carbon steel
 叶轮材质 Impeller Material: 铝合金 Aluminum alloy sheet
 防护等级 Ingress Protection: IP54
 绝缘等级 Insulation Class: F
 轴承类型 Bearing Type: 免维护滚珠轴承
 Maintenance free ball bearing

性能曲线 Performance Curves



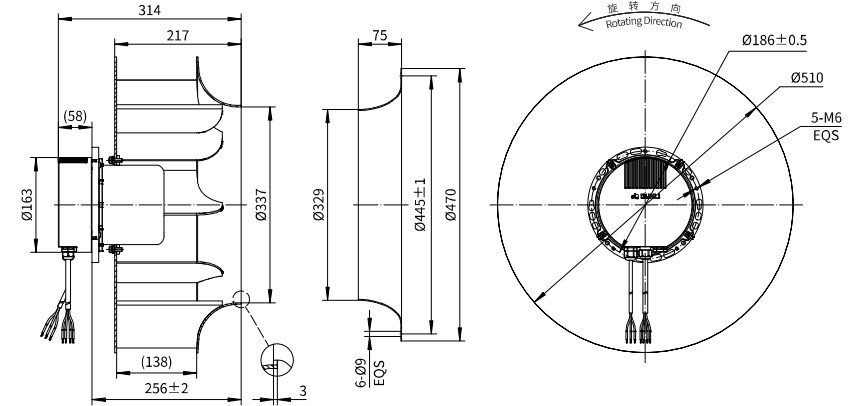
测试节点 Test Point	转速 Speed rpm	输入功率 Input Power W
1	1218	704
2	1089	685
3	1093	676
4	976	353
5	978	473
6	980	525
7	731	157
8	730	205
9	729	212
10	493	57
11	493	69
12	492	73

Erp2015 Data:
 Efficiency $\eta_{statA} = 54.5\%$
 Efficiency grade $N_{actual} = 66.8, N_{target} = 62$
 Test report No. : L-20210302-005-070

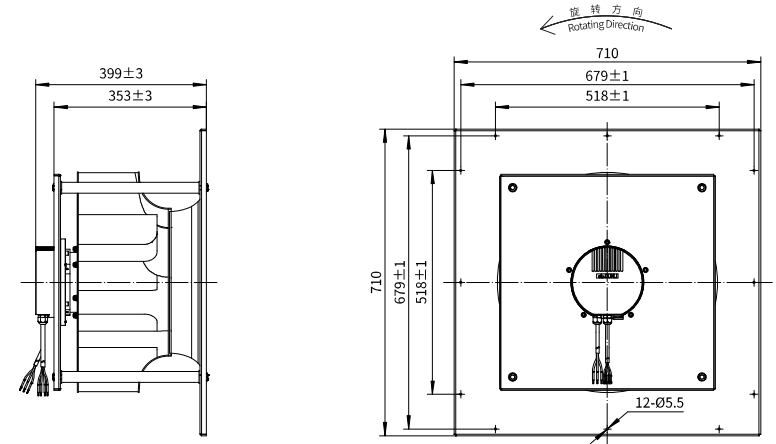


产品型号 Model No.	电压 Voltage	频率 Frequency	转速 Speed	输入功率 Input Power	电流 Current	运行温度 Working Temp.	认证 Approvals
	VAC	Hz	RPM	W	A	Min/Max (°C)	
EC137-B500-002	1~220/230	50/60	1250	720	4.40	-20/+60	CCC, CE

后倾离心风机 Motorized Backward Curved Impeller



带支架 With Supporting Rack



金属叶轮后倾离心
Metal Impeller ByC Centrifugal