

EC 金属叶轮后倾离心风机  
EC Backward Centrifugal Fan with Metal Impeller

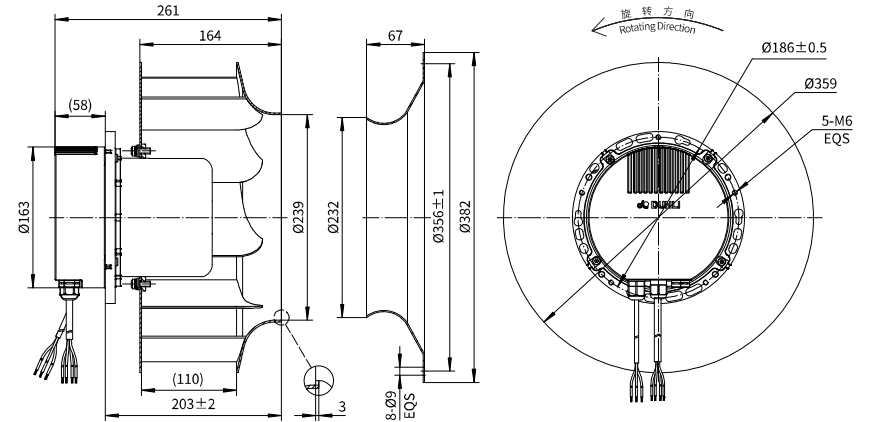
Erp2015  
EXCEEDS THE NORM

后倾离心风机 Motorized Backward Curved Impeller

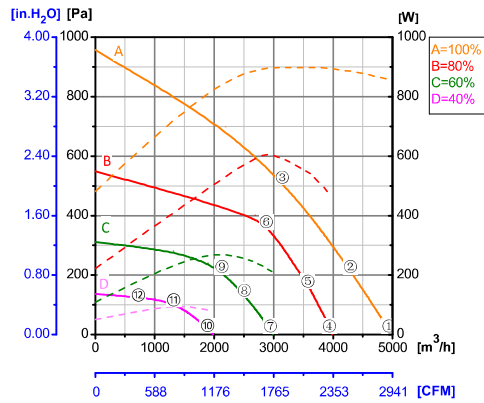


Φ 355 (3-phase)

转子材质 Rotor Material: 碳钢 Carbon steel  
 叶轮材质 Impeller Material: 铝合金 Aluminum alloy sheet  
 防护等级 Ingress Protection: IP54  
 绝缘等级 Insulation Class: F  
 轴承类型 Bearing Type: 免维护滚珠轴承  
 Maintenance free ball bearing

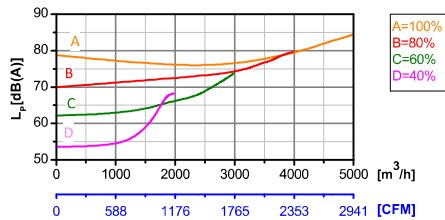


性能曲线 Performance Curves

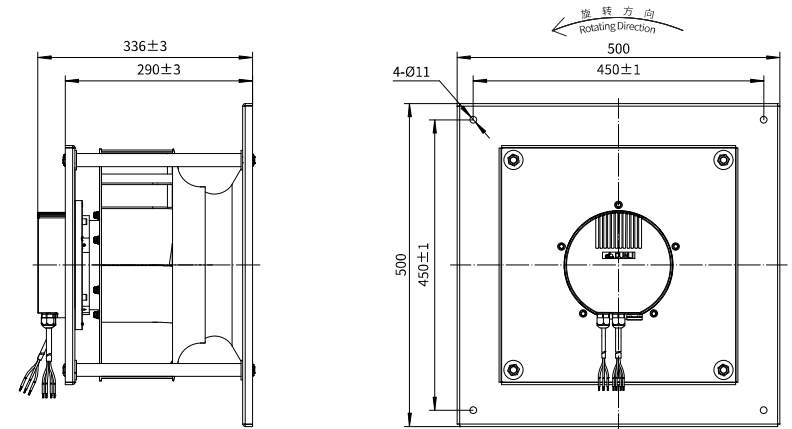


测试节点 Test Point	转速 Speed rpm	输入功率 Input Power W
1	2184	858
2	2086	885
3	2003	901
4	1743	457
5	1747	543
6	1746	604
7	1313	210
8	1314	253
9	1312	269
10	875	77
11	875	87
12	875	95

带支架 With Supporting Rack



Erp2015 Data:  
 Efficiency  $\eta_{statA}$  = 53.8%  
 Efficiency grade  $N_{actual}$  = 64.7,  $N_{target}$  = 62  
 Test report No. : L-20210302-005-063



产品型号 Model No.	电压 Voltage	频率 Frequency	转速 Speed	输入功率 Input Power	电流 Current	运行温度 Working Temp.	认证 Approvals
	VAC	Hz	RPM	W	A	Min/Max (°C)	
EC137-B355-002	3-380/400	50/60	2280	840	1.35	-20/+60	CCC, CE