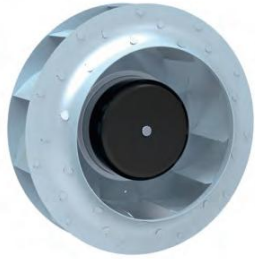


DC 金属叶轮后倾离心风机
DC Backward Centrifugal Fan with Metal Impeller

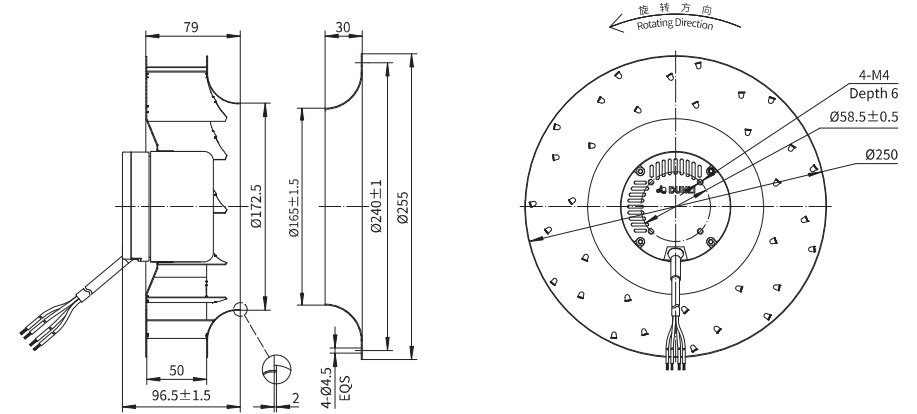
Erp2015
EXCEEDS THE NORM

后倾离心风机 Motorized Backward Curved Impeller

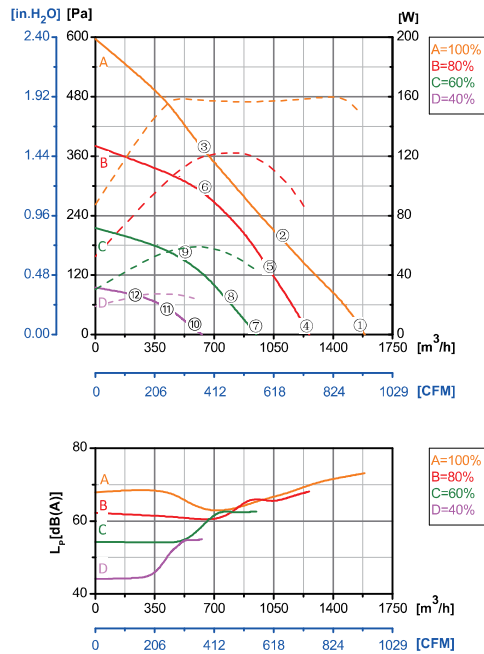


Φ 250

转子材质 Rotor Material: 碳钢 Carbon steel
 叶轮材质 Impeller Material: 镀锌板 Galvanized steel sheet
 防护等级 Ingress Protection: IP42
 绝缘等级 Insulation Class: F
 轴承类型 Bearing Type: 免维护滚珠轴承
 Maintenance free ball bearing



性能曲线 Performance Curves



测试节点 Test Point	转速 Speed rpm	输入功率 Input Power W
1	2733	145
2	2456	158
3	2402	157
4	2184	81
5	2181	112
6	2181	121
7	1642	43
8	1643	54
9	1642	59
10	1094	22
11	1093	26
12	1094	27

Erp2015 Data:
 Efficiency η_{statA} = 50.0%
 Efficiency grade N_{actual} = 68.9, N_{target} = 62
 Test report No. : L-20210302-005-101

产品型号 Model No.	电压 Voltage	频率 Frequency	转速 Speed	输入功率 Input Power	电流 Current	运行温度 Working temp.	认证 Approvals
	VDC	Hz	RPM	W	A	Min/Max (°C)	
DC92-B250-C10	48	/	2700	155	3.23	-20/+60	CCC, CE
DC92-B250-D10	310	/	2700	155	0.50	-20/+60	CCC, CE