

EC 机翼形塑料叶片轴流风机
EC Plastic Airfoil Blade Axial Fan

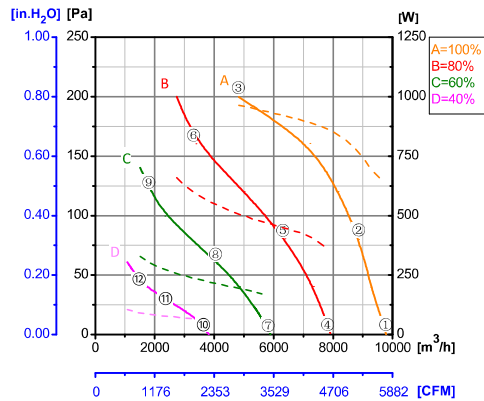
Erp2015
EXCEEDS THE NORM



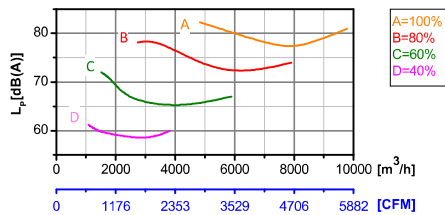
Φ 500 (3-phase)

转子材质 Rotor Material: 碳钢 Carbon steel
风叶材质 Blade Material: 塑料 Plastic
防护等级 Ingress Protection: IP54
绝缘等级 Insulation Class: F
轴承类型 Bearing Type: 免维护滚珠轴承
Maintenance free ball bearing

性能曲线 Performance Curves



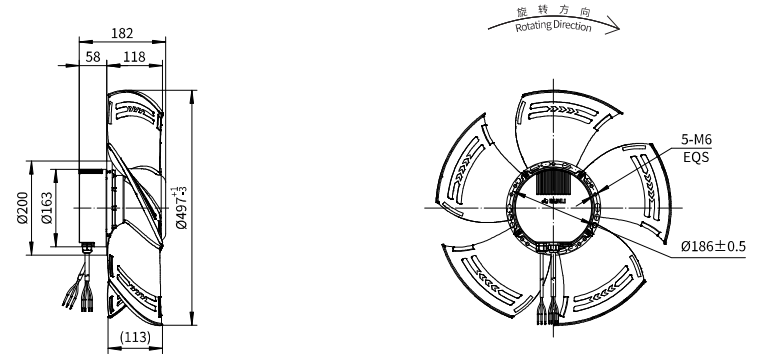
测试节点 Test Point	转速 Speed rpm	输入功率 Input Power W
1	1559	630
2	1538	770
3	1538	963
4	1249	349
5	1256	449
6	1256	581
7	938	159
8	945	209
9	945	298
10	628	57
11	631	70
12	628	97



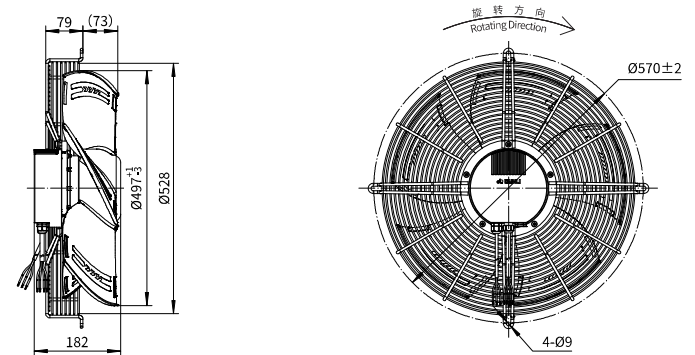
Erp2015 Data:
Efficiency η_{statA} =39.2%
Efficiency grade N_{actual} =45.9, N_{target} =40
Test report No. : L-20210302 -004-053

产品型号 Model No.	电压 Voltage VAC	频率 Frequency Hz	转速 Speed RPM	输入功率 Input Power W	电流 Current A	运行温度 Working Temp. Min/Max (°C)	认证 Approvals
EC137-A500-001	3~380/400	50/60	1600	950	1.60	-20/+60	CCC, CE

风机本体 Type A



D型网罩 Type D



F型面板 Type F

