

DC 复翼叶轮后倾离心风机
DC Backward Curved Centrifugal Fan with Aileron Impeller

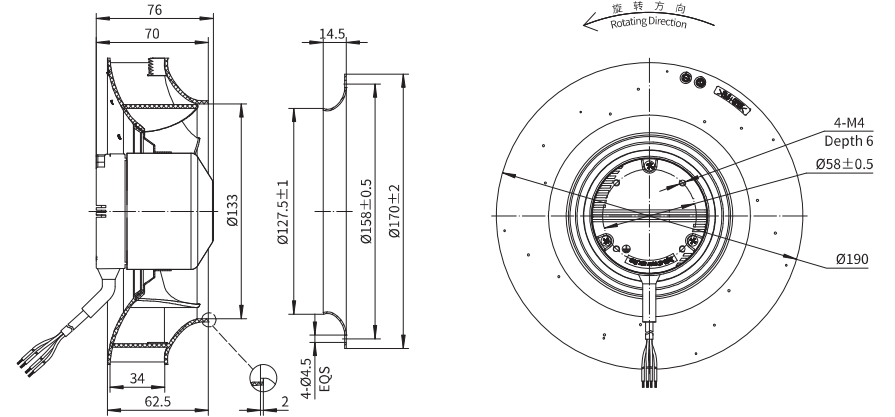
ErP2015
EXCEEDS THE NORM



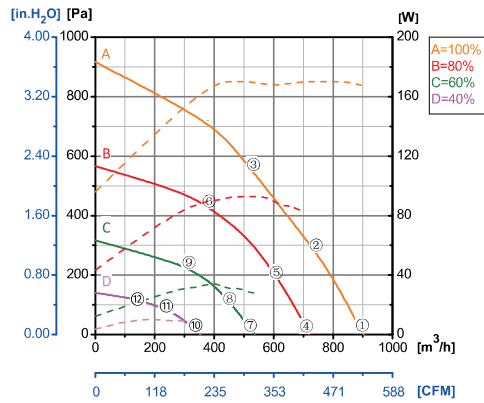
Φ 190

转子材质 Rotor Material: 碳钢 Carbon steel
叶轮材质 Impeller Material: 塑料 Plastic
防护等级 Ingress Protection: IP42
绝缘等级 Insulation Class: F
轴承类型 Bearing Type: 免维护滚珠轴承
Maintenance free ball bearing

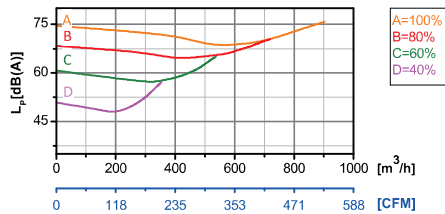
后倾离心风机 Motorized Backward Curved Impeller



性能曲线 Performance Curves



测试节点 Test Point	转速 Speed rpm	输入功率 Input Power W
1	4355	167
2	4210	170
3	4142	170
4	3488	81
5	3483	87
6	3486	90
7	2616	28
8	2616	31
9	2615	34
10	1745	8
11	1745	9
12	1745	10



Erp2015 Data:
Efficiency η_{statA} = 54.4%
Efficiency grade N_{actual} = 72.9, N_{target} = 62
Test report No. : L-20210806 - 092

产品型号 Model No.	电压 Voltage	频率 Frequency	转速 Speed	输入功率 Input Power	电流 Current	运行温度 Working temp.	认证 Approvals
	VDC	Hz	RPM	W	A	Min/Max (°C)	
DC72-B190-D01	310	/	4300	170	0.55	-20/+60	CCC, CE