

DC 前倾离心及鼓风机
DC Forward Curved Centrifugal Fan and Blower

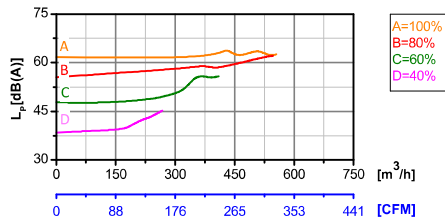
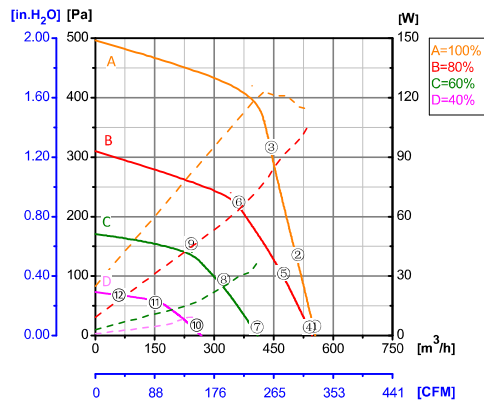
ErP2015
EXCEEDS THE NORM



Φ 150

转子材质 Rotor Material: 碳钢 Carbon steel
 蜗壳材质 Housing Material: 碳钢 Carbon steel
 叶轮材质 Impeller Material: 镀锌板 Galvanized steel sheet
 防护等级 Ingress Protection: IP42
 绝缘等级 Insulation Class: F
 轴承类型 Bearing Type: 免维护滚珠轴承
 Maintenance free ball bearing

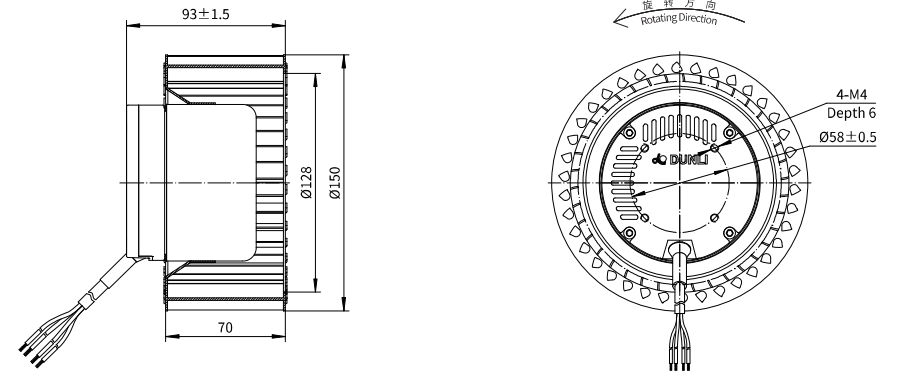
性能曲线 Performance Curves



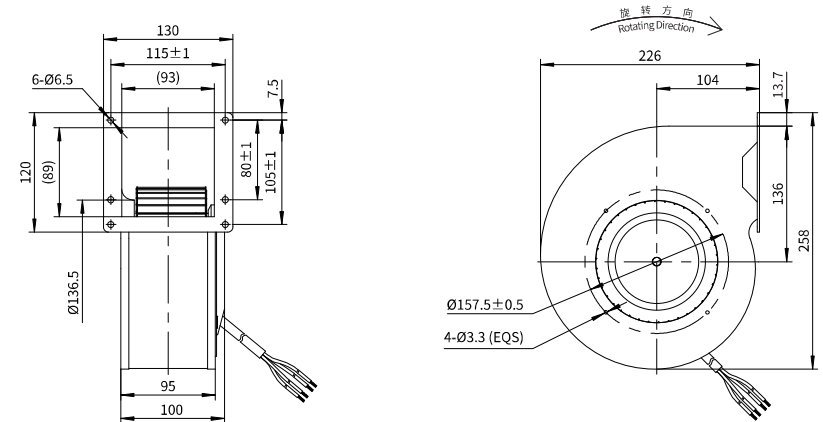
测试节点 Test Point	转速 Speed rpm	输入功率 Input Power W
1	2426	115
2	2587	115
3	2863	121
4	2389	109
5	2388	93
6	2391	65
7	1798	37
8	1798	25
9	1796	16
10	1196	11
11	1196	9
12	1196	6

Erp2015 Data:
 Efficiency η_{statA} =45.2%
 Efficiency grade N_{actual} =57.3, N_{target} =44
 Test report No. : L-20210302-003-037

前倾离心风机 Motorized Forward Curved Impeller



鼓风机 Blower



产品型号 Model No.	电压 Voltage	频率 Frequency	转速 Speed	输入功率 Input Power	电流 Current	运行温度 Working Temp.	认证 Approvals
	VDC	Hz	RPM	W	A	Min/Max (°C)	
DC92-F150-A10	24	/	2450	120	5.00	-20/+60	CE
DC92-F150-C10	48	/	2450	120	2.50	-20/+60	CCC, CE
DC92-F150-031	310	/	2450	120	0.39	-20/+60	CCC, CE