

DC 复翼叶轮后倾离心风机
DC Backward Curved Centrifugal Fan with Aileron Impeller

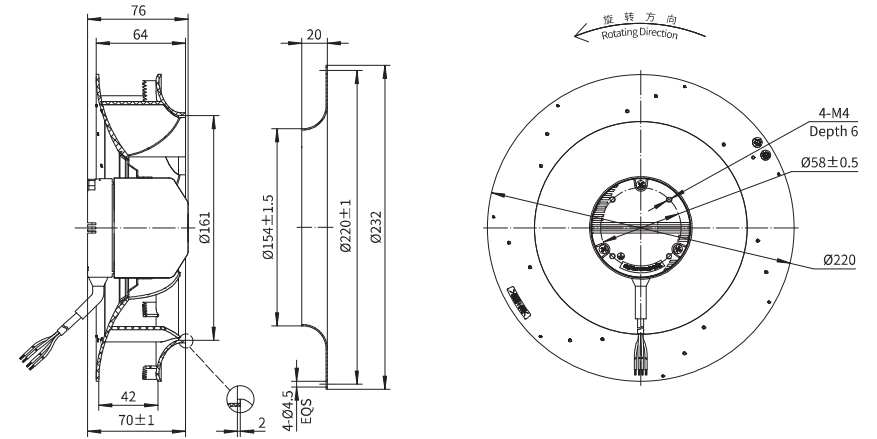
ErP2015
EXCEEDS THE NORM

后倾离心风机 Motorized Backward Curved Impeller

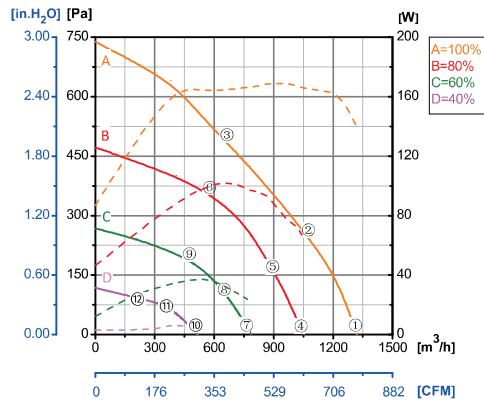


Φ 220-L

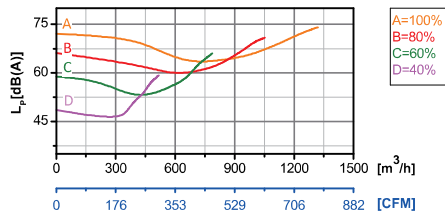
转子材质 Rotor Material: 碳钢 Carbon steel
 叶轮材质 Impeller Material: 塑料 Plastic
 防护等级 Ingress Protection: IP42
 绝缘等级 Insulation Class: F
 轴承类型 Bearing Type: 免维护滚珠轴承
 Maintenance free ball bearing



性能曲线 Performance Curves



测试节点 Test Point	转速 Speed rpm	输入功率 Input Power W
1	3482	139
2	3360	164
3	3327	164
4	2783	65
5	2782	87
6	2781	102
7	2093	22
8	2093	31
9	2092	37
10	1389	3
11	1390	6
12	1389	6



Erp2015 Data:
 Efficiency η_{statA} = 62.3%
 Efficiency grade N_{actual} = 81, N_{target} = 62
 Test report No. : L-20210302 - 005-091

产品型号 Model No.	电压 Voltage	频率 Frequency	转速 Speed	输入功率 Input Power	电流 Current	运行温度 Working temp.	认证 Approvals
	VDC	Hz	RPM	W	A	Min/Max (°C)	
DC72-B220-D01	310	/	3500	140	0.47	-20/+60	CCC, CE